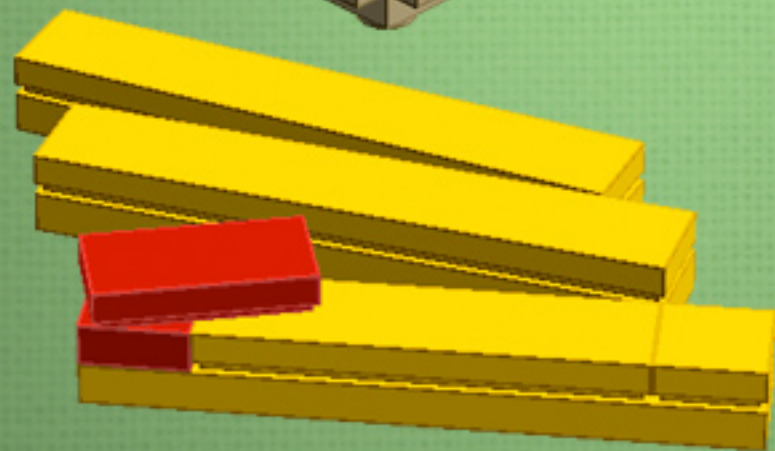




LEGO® Burger & Fries

by Chris McVeigh
chrismcveigh.com





Tan Plate 1x2
Element ID: 4113917
Quantity: 8



Tan Plate 2x2
Element ID: 4114084
Quantity: 1



Tan Brick Modified 1x1 W. 1 Stud
Element ID: 4579260
Quantity: 4



Tan Plate 1x4
Element ID: 4113233
Quantity: 8



Tan Plate 4x4
Element ID: 4243824
Quantity: 2



Tan Brick Round 2x2
Element ID: 4125220
Quantity: 2



Red Plate 1x1
Element ID: 302421
Quantity: 1



Red Tile 1x2
Element ID: 306921
Quantity: 1



Red Tile 2x2
Element ID: 306821
Quantity: 4



Black Motor 1x2x2/3
Element ID: 4523339
Quantity: 8



Black Plate Technic 2x4
Element ID: 370926
Quantity: 1



Black Round Plate 2x2 W/Eye
Element: 237626
Quantity: 1



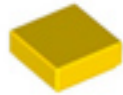
Brown Plate 1x2
Element ID: 4211150
Quantity: 4



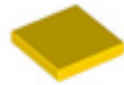
Brown Plate 1x4
Element ID: 4211190
Quantity: 4



Orange Tile 1x1
Element ID: 4558595
Quantity: 4



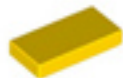
Yellow Tile 1x1
Element ID: 307024
Quantity: 1



Yellow Tile 2x2
Element ID: 306824
Quantity: 4



Yellow Tile 1x6
Element ID: 663624
Quantity: 5



Yellow Tile 1x2
Element ID: 306924
Quantity: 4



Yellow Tile 1x4
Element ID: 243124
Quantity: 1



Yellow Plate 1x6
Element ID: 366624
Quantity: 6



Yellow Plate Round 2x2
Element ID: 403224
Quantity: 1



Light Grey Light Sword Blade
Element ID: 4211628
Quantity: 1



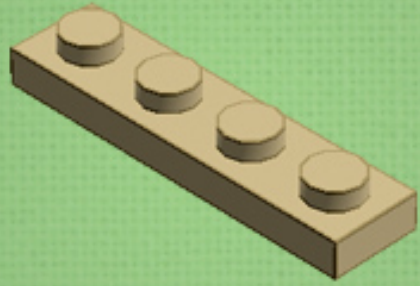
Light Grey Light Sword Shaft
Element ID: 4539481
Quantity: 2

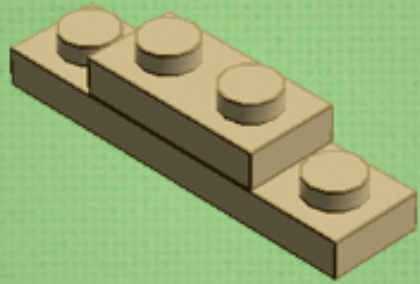


Lime Plate 2x2
Element ID: 4537937
Quantity: 4

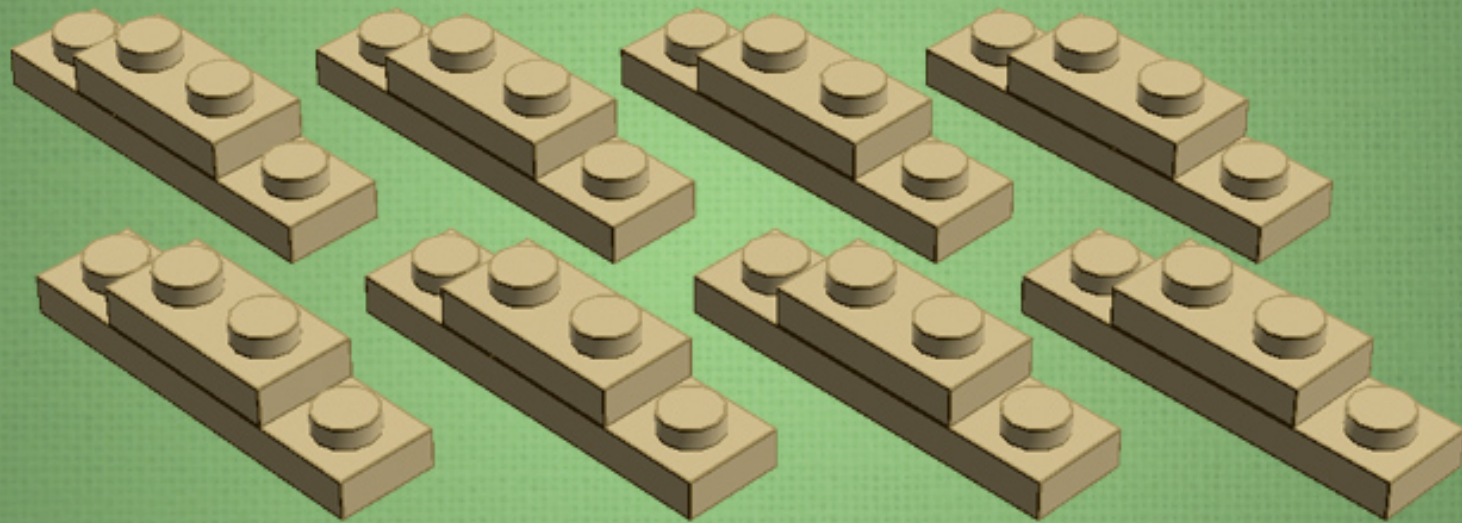


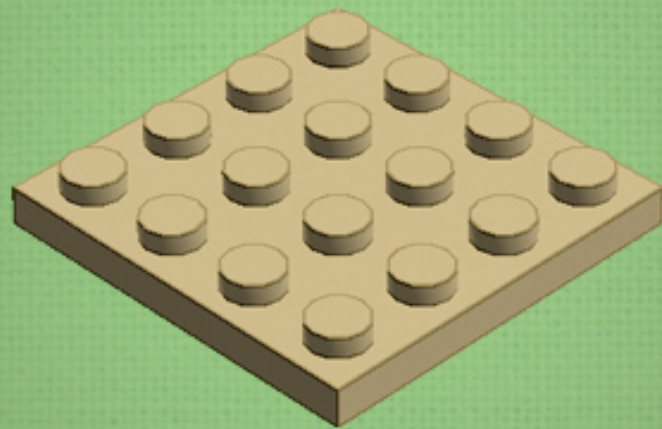
White Plate Round 1x1
Element ID: 614101
Quantity: 4

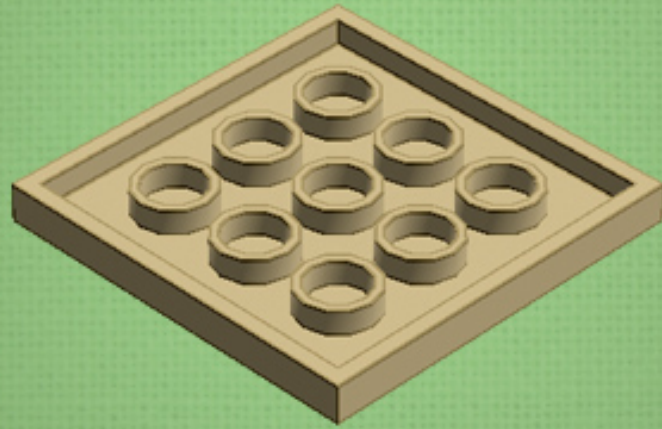




8x



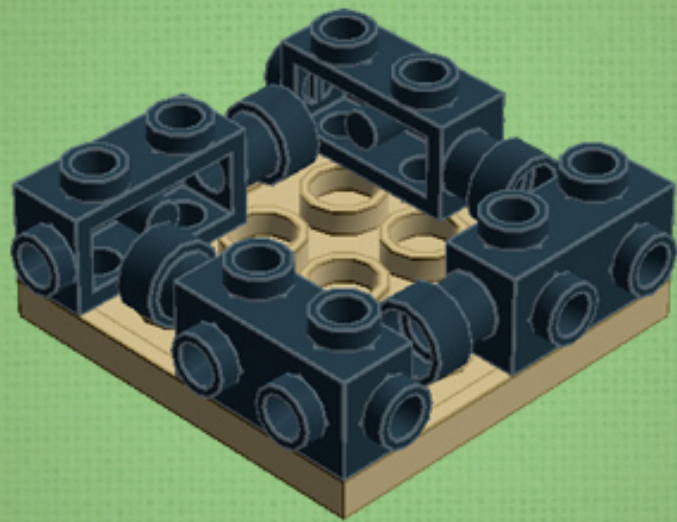


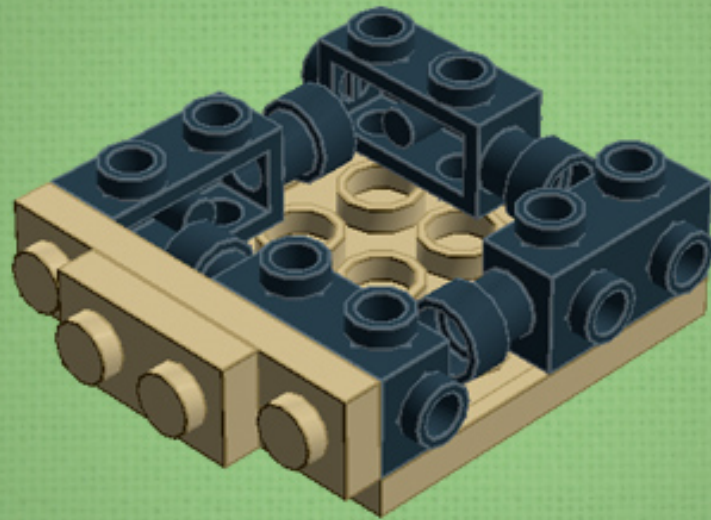


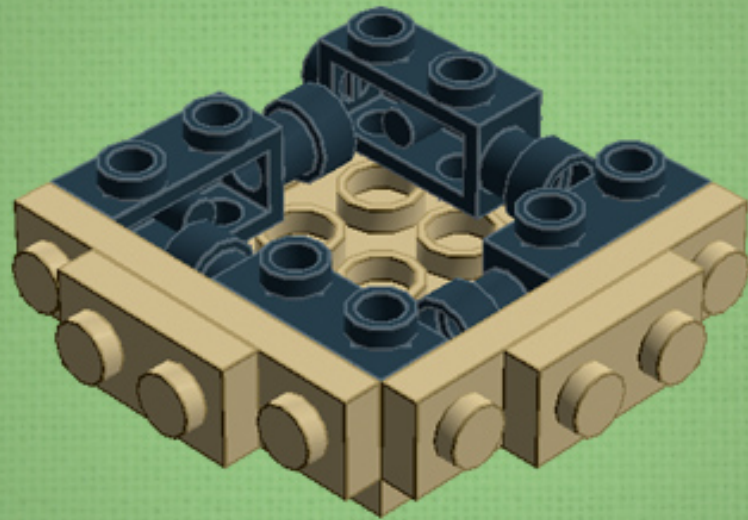


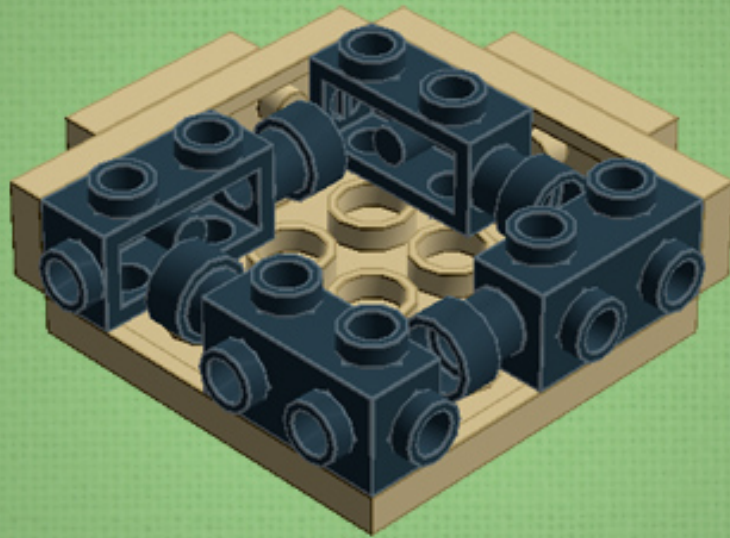


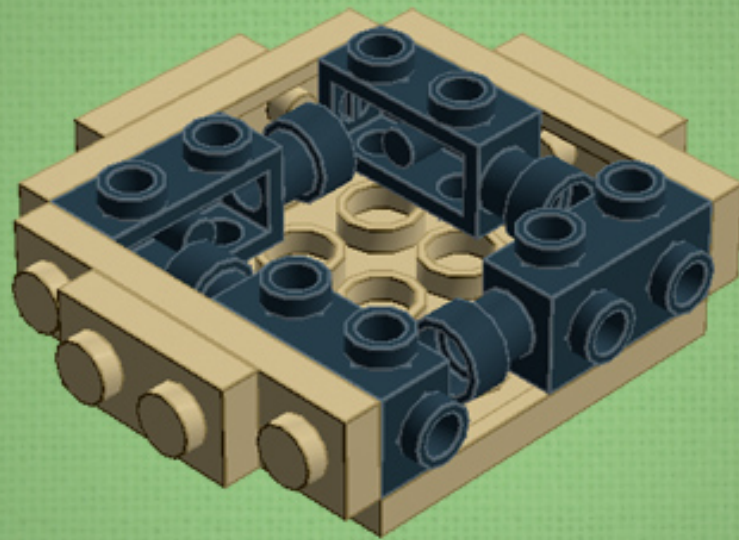


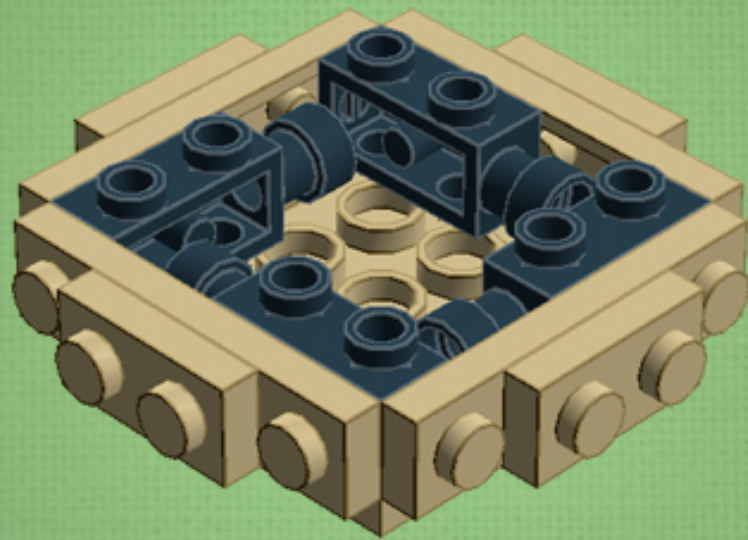


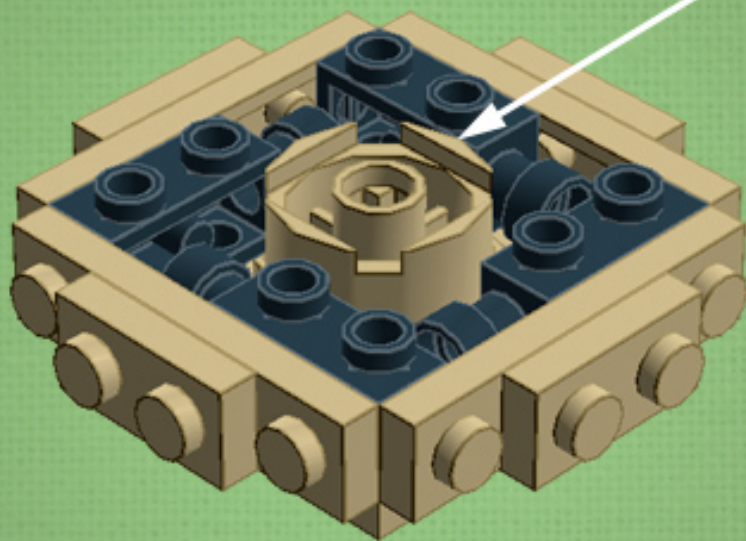




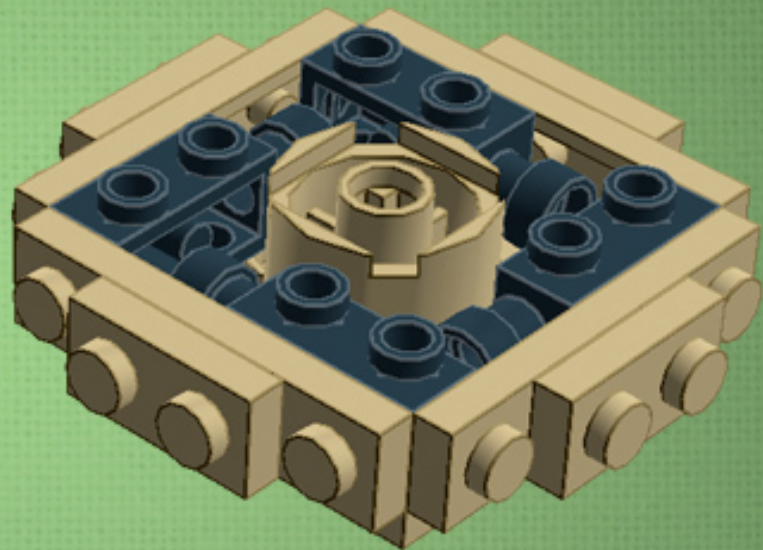
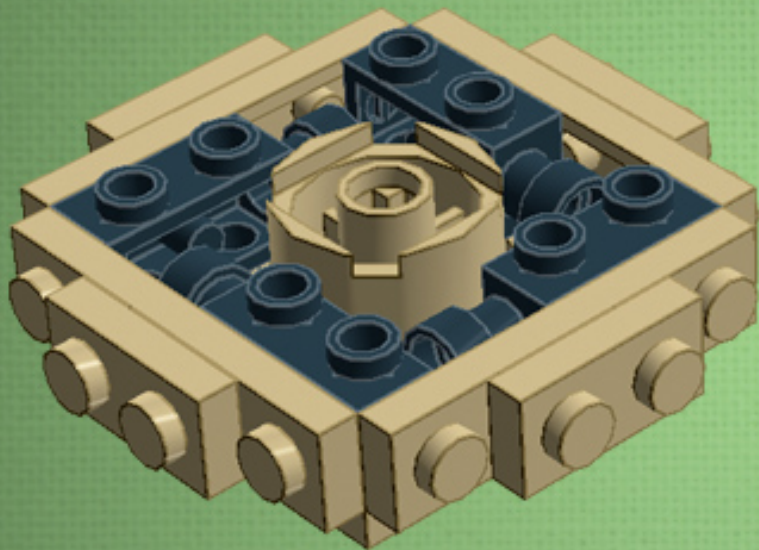


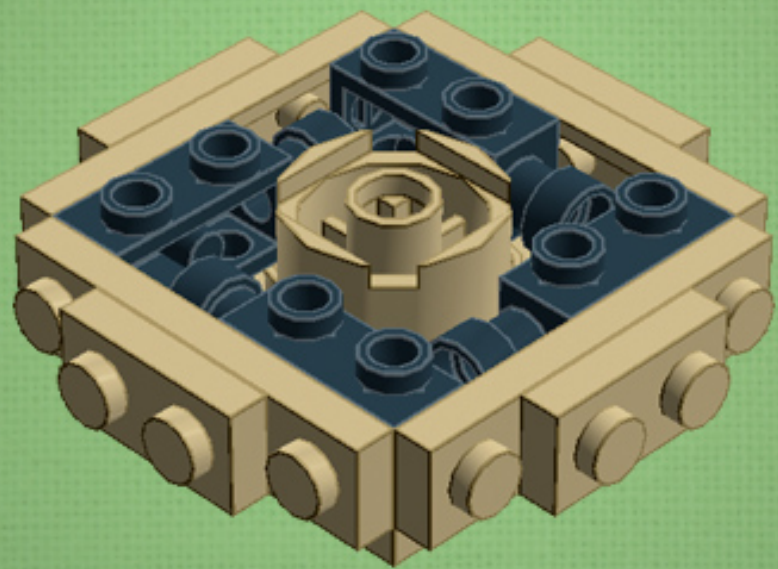


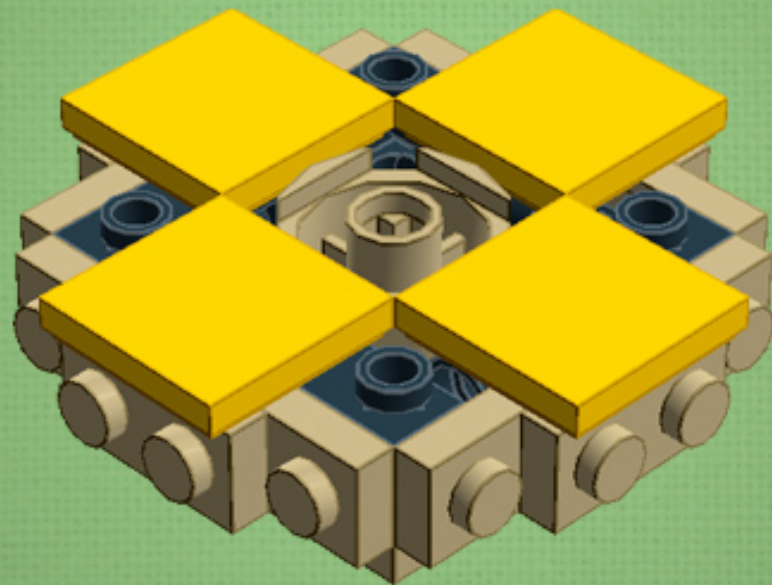


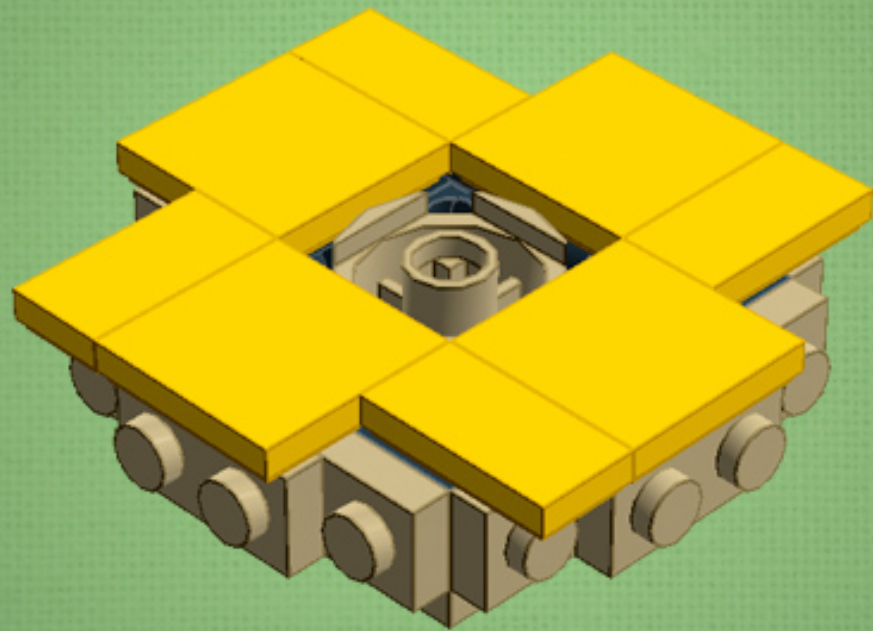


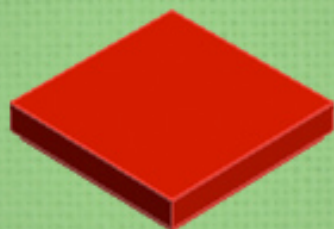
2x

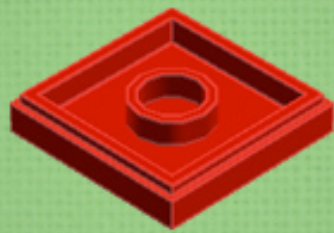








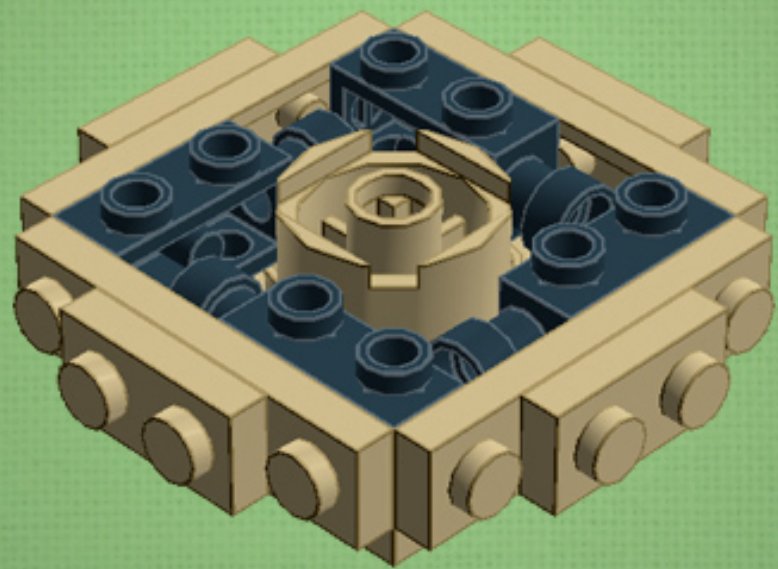


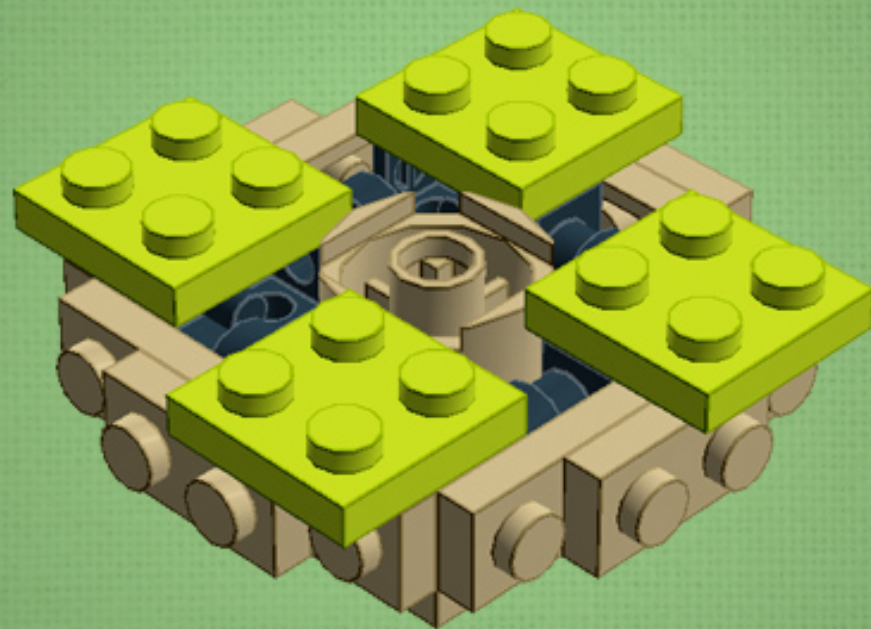


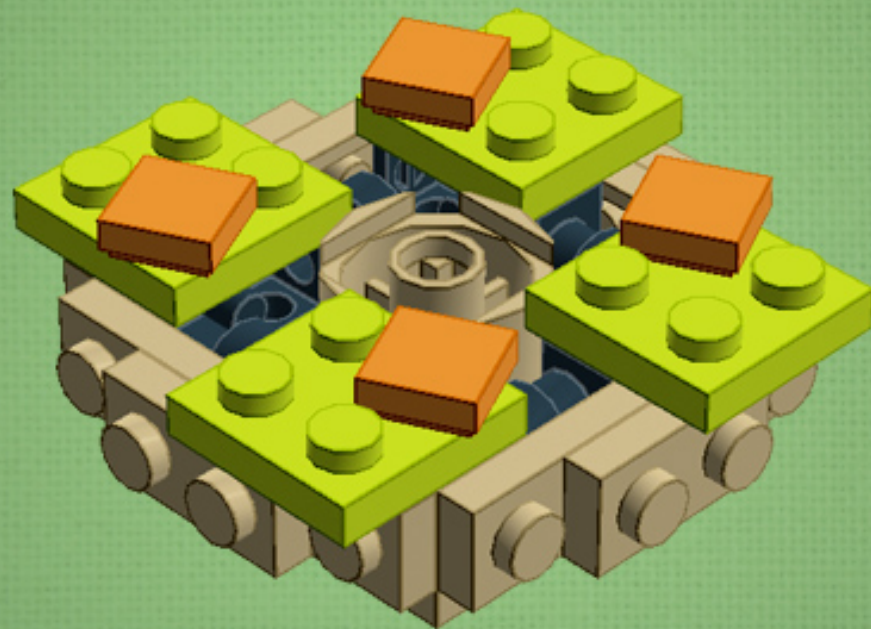


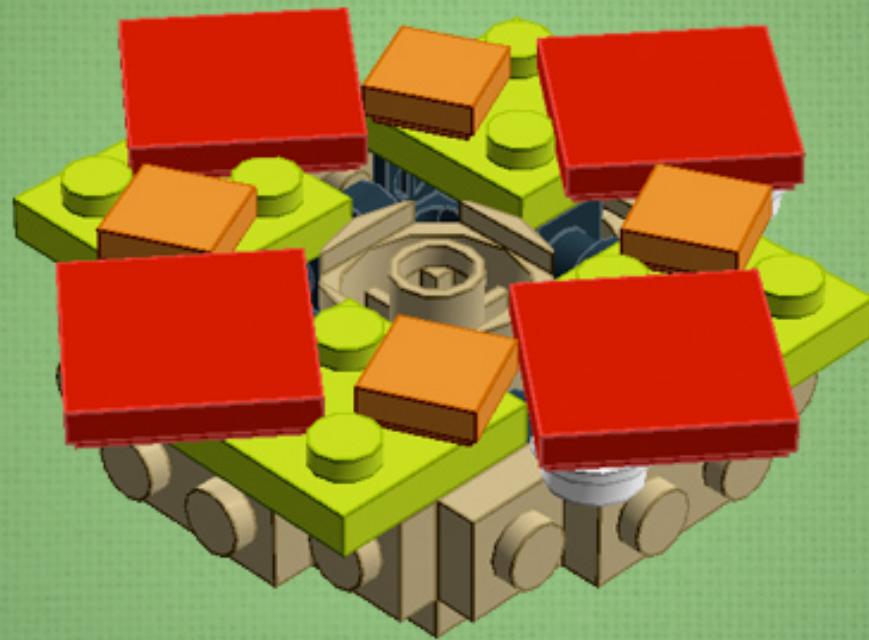
4x



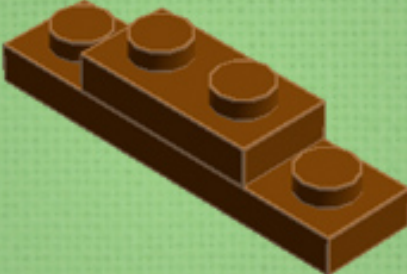




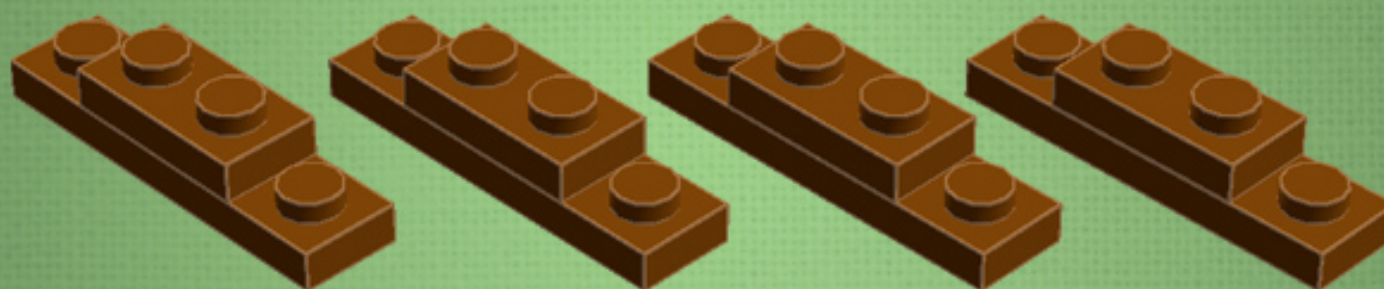




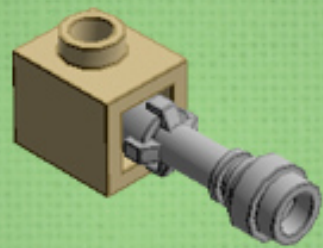


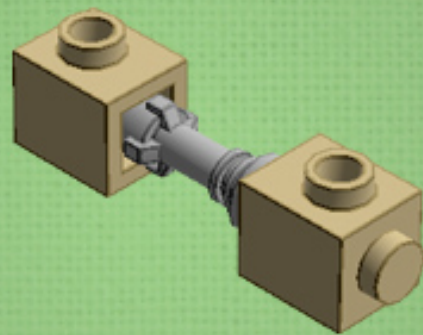


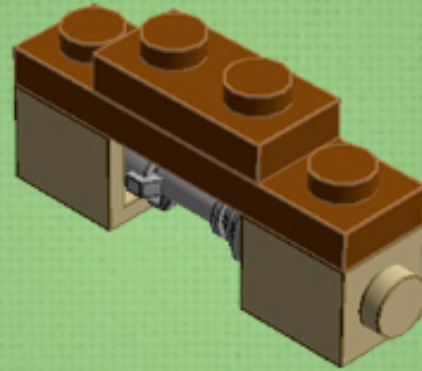
4x



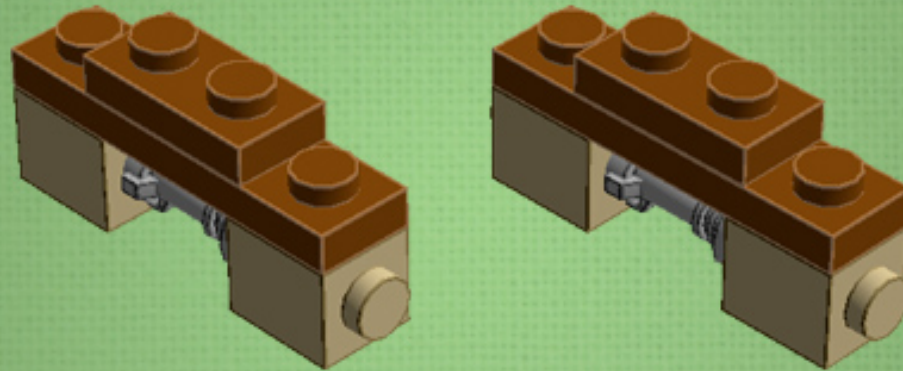


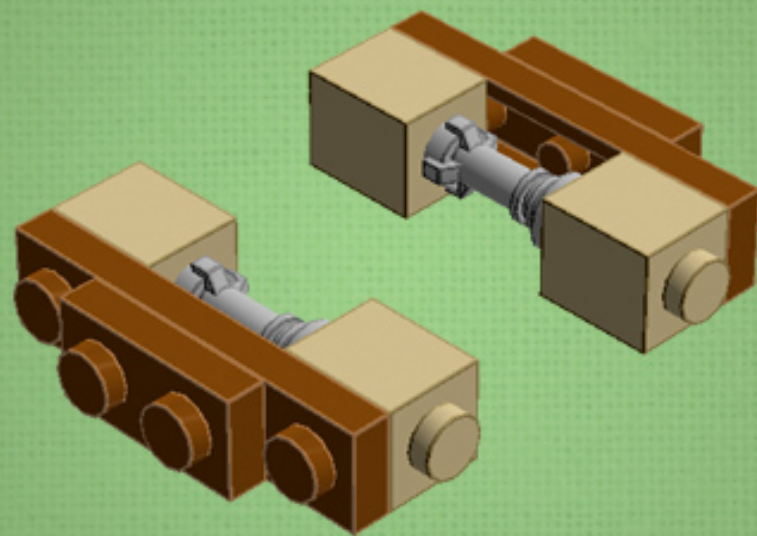


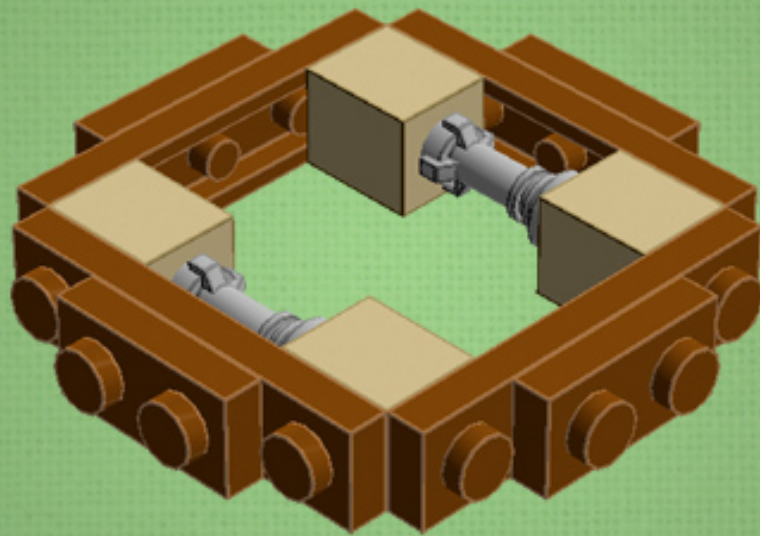


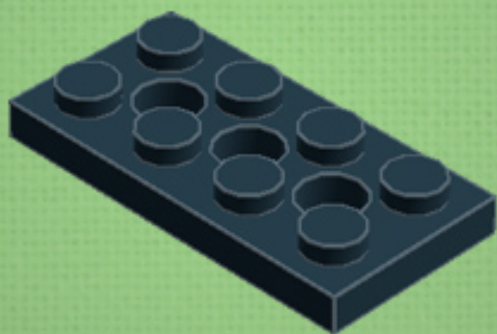


2x

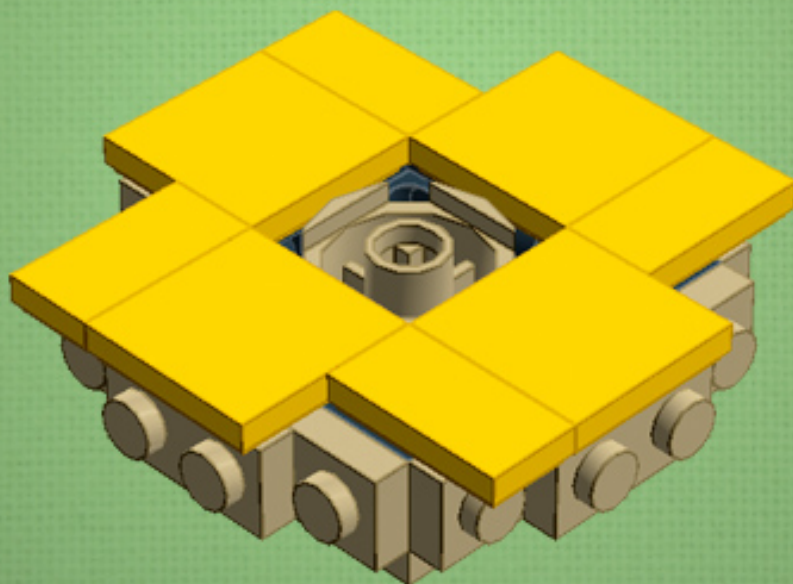


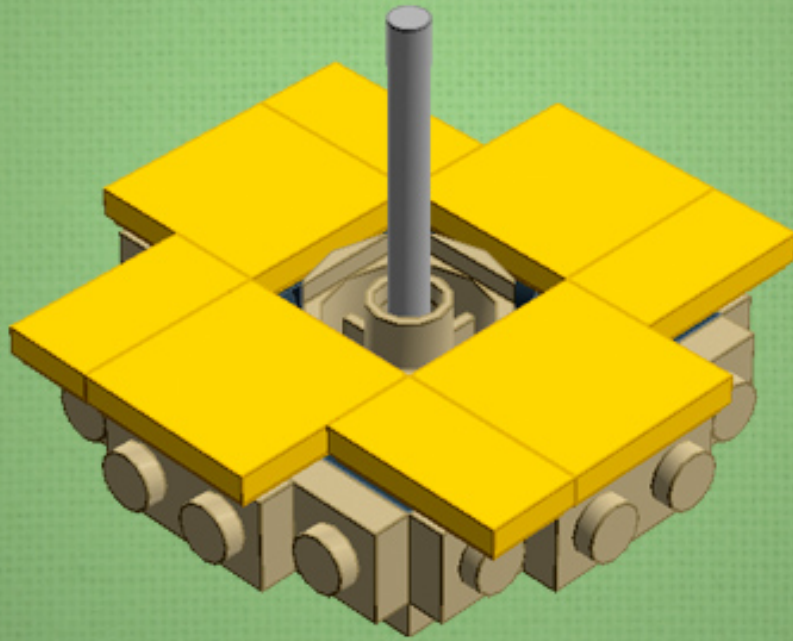


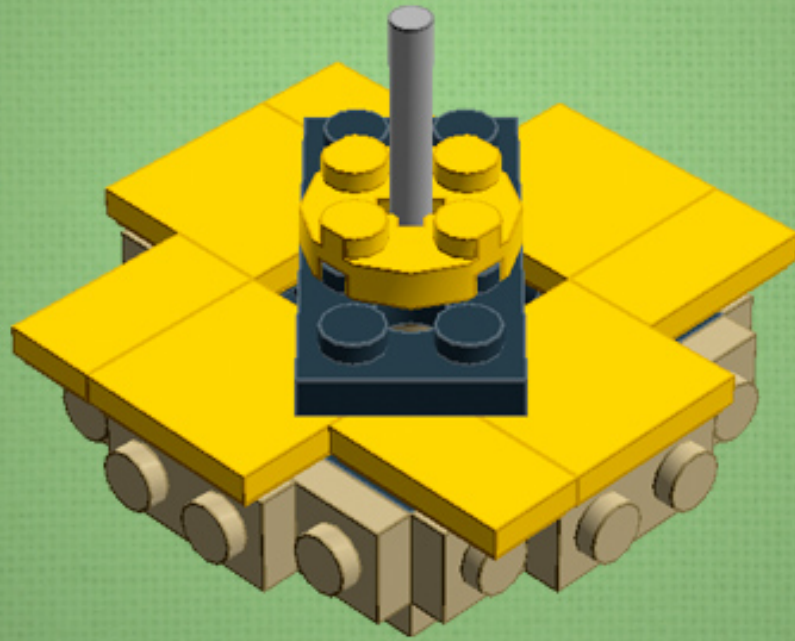


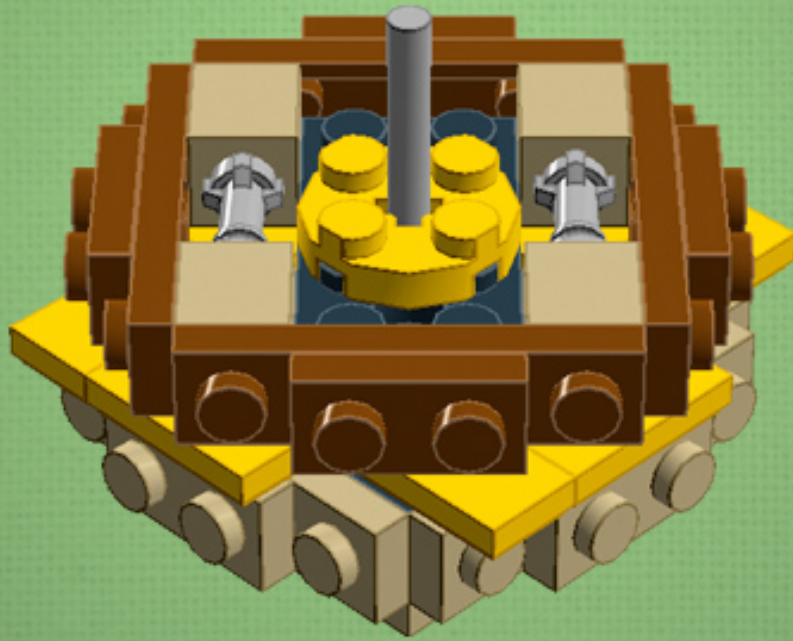










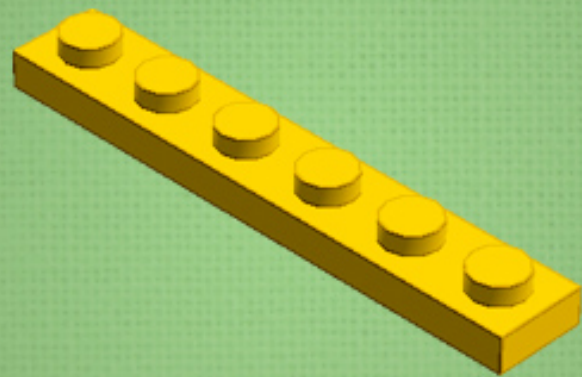


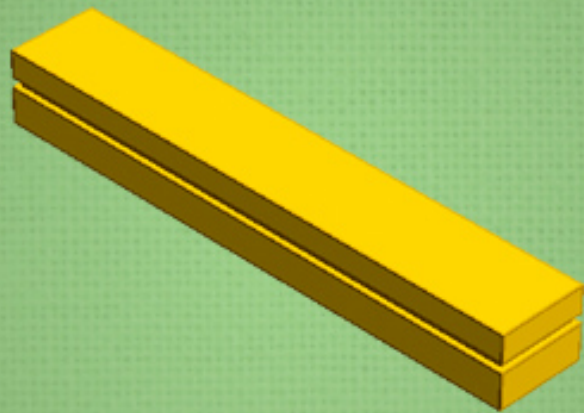




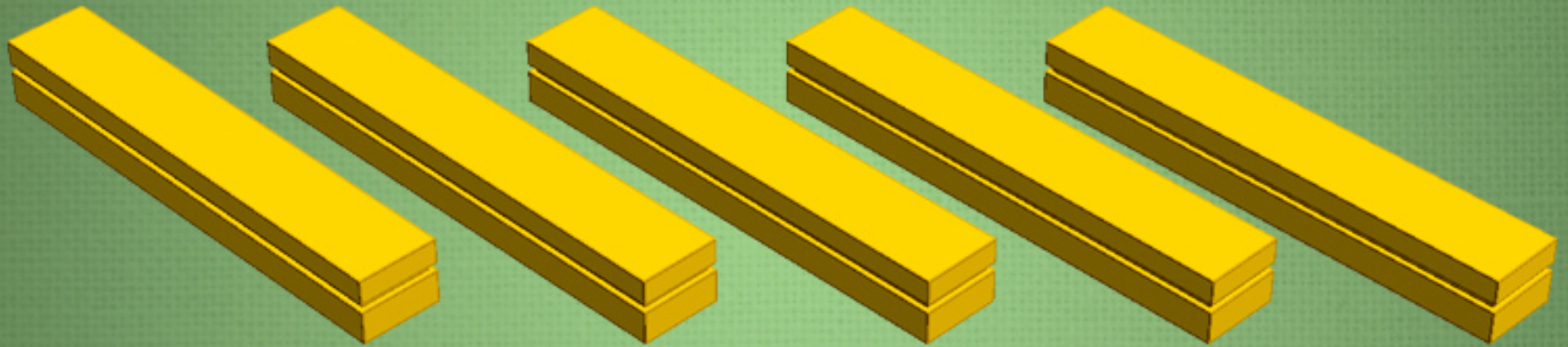


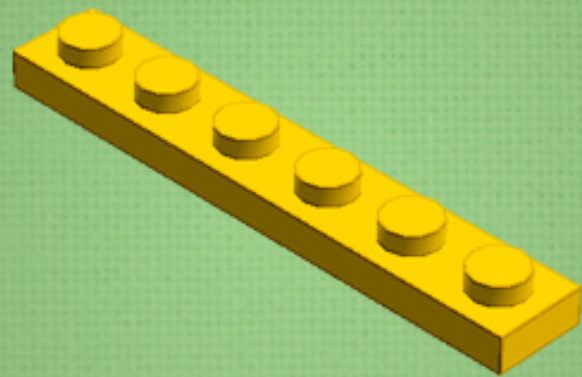


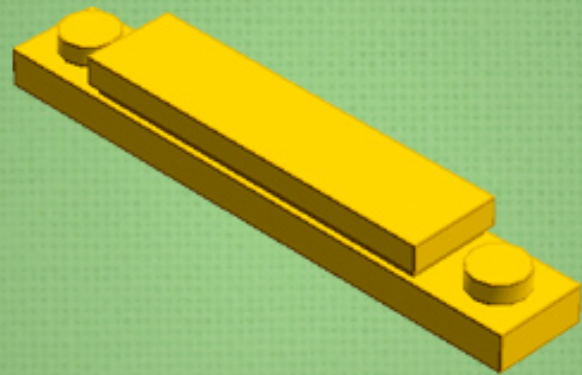


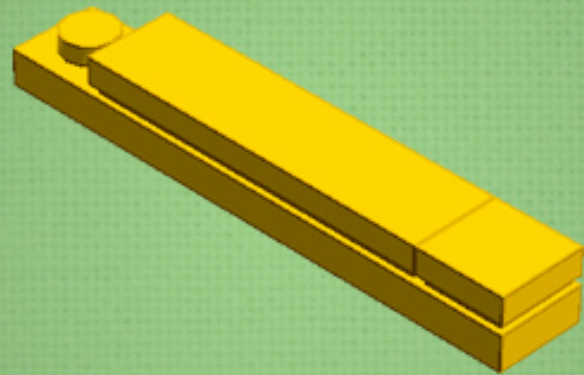


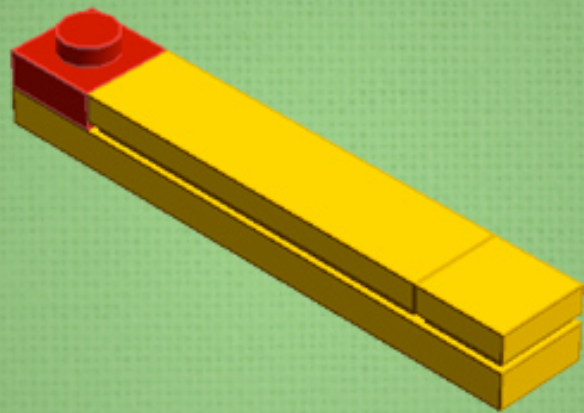
5x

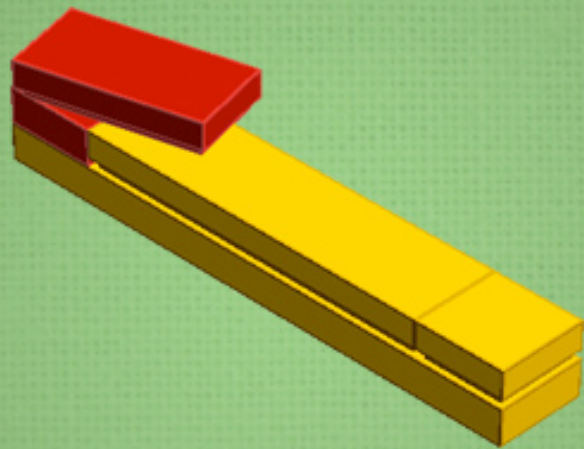


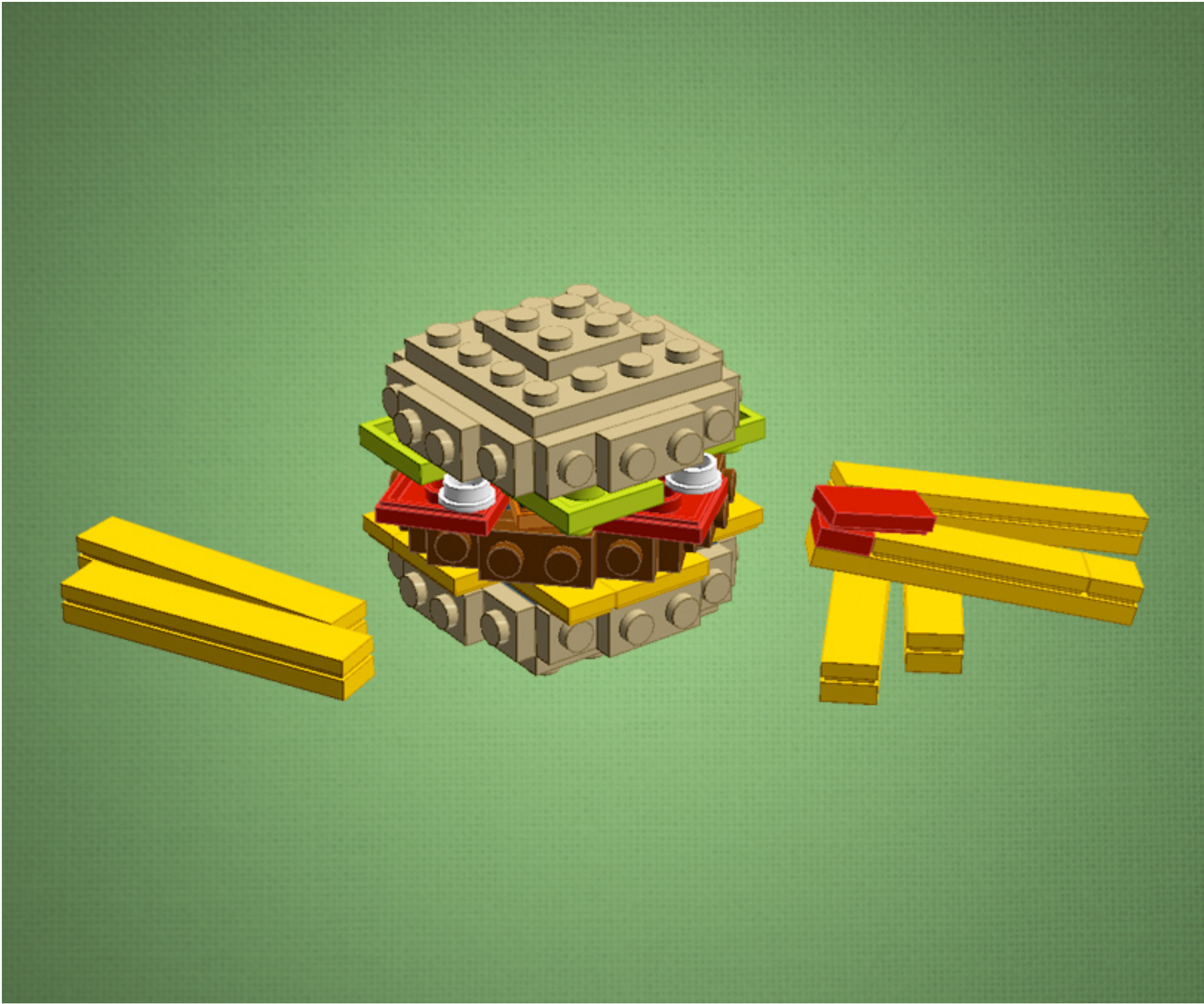














Add the lifting ring to create a hanging ornament!

*For more fun builds,
please pop by flickr.com/powerpig,
visit me at facebook.com/c.mcveigh.photos,
or follow me on twitter [@actionfigured](https://twitter.com/actionfigured)*

© 2012 Chris McVeigh