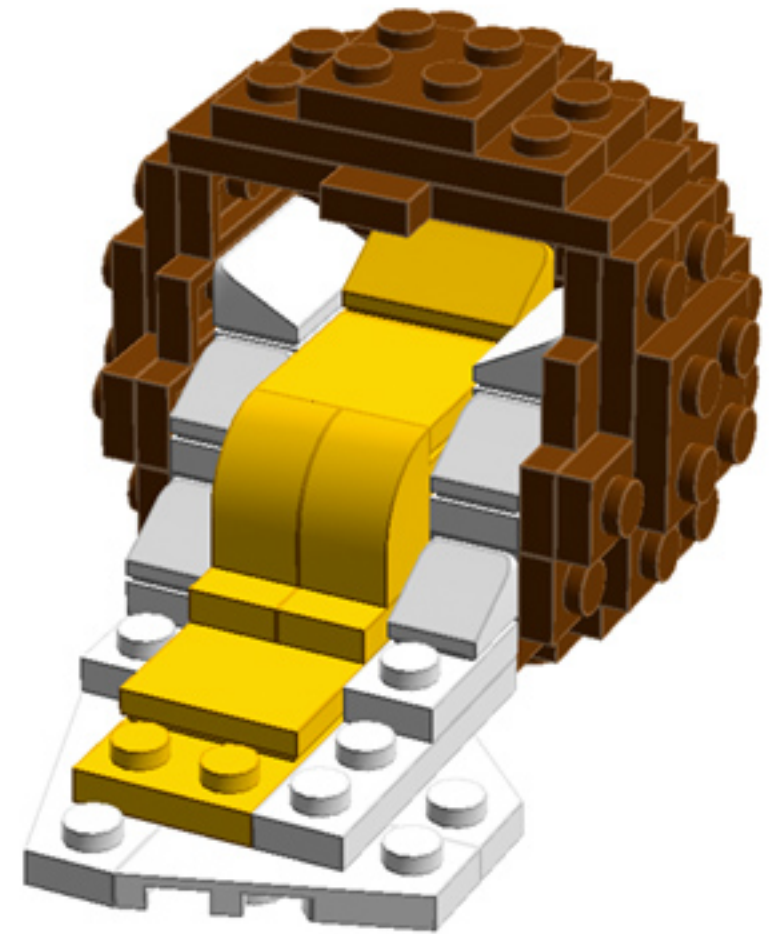


Chocolate Creme Egg

A LEGO® project by Chris McVeigh
chrismcveigh.com

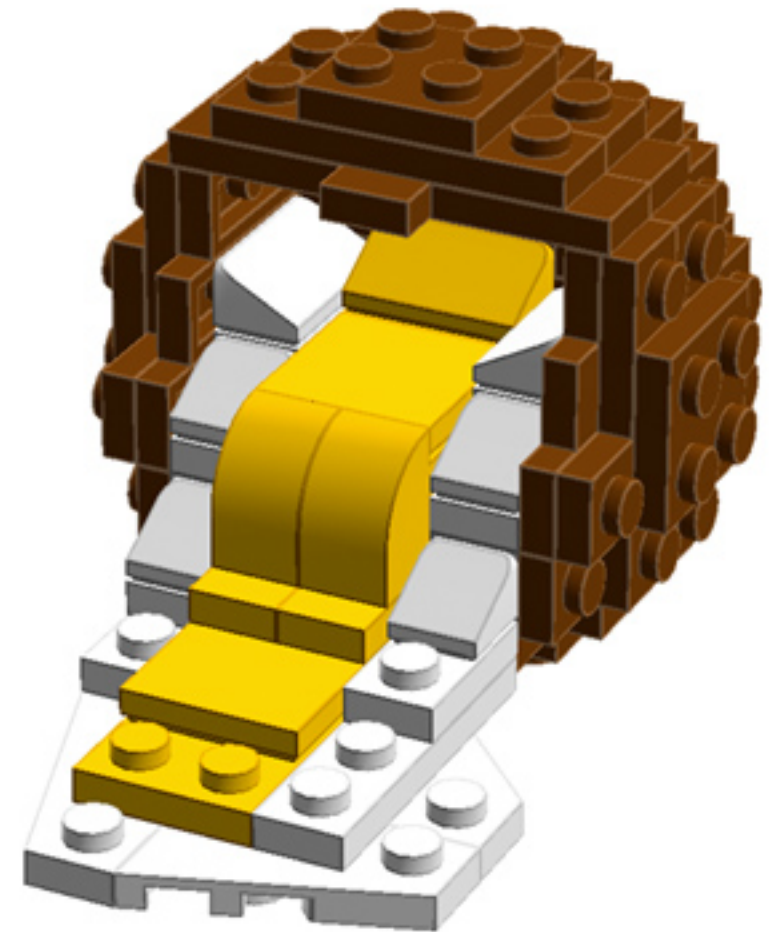


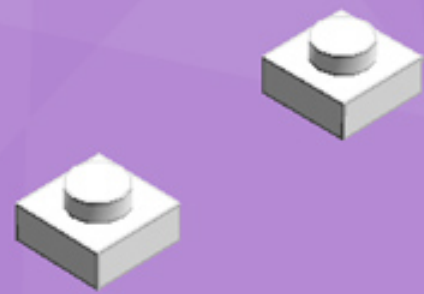
Element ID	Color	Description	Quantity
4188357	Bright Yellow	Brick W. Arch 1x1x1 1/3	2
306824	Bright Yellow	FLAT Tile 2x2	2
379424	Bright Yellow	Plate 1x2 W. 1 Knob	3
302024	Bright Yellow	Plate 2x4	2
4550348	Bright Yellow	Roof Tile 1 x 2 x 2/3, ABS	1
4624184	Flame Yellow	Bracelet Upper Part	6
4225469	Reddish Brown	Angular Brick 1x1	4
4211257	Reddish Brown	Corner Plate 1x2x2	16
4221744	Reddish Brown	Plate 1x1	2
4211150	Reddish Brown	Plate 1x2	4
4219726	Reddish Brown	Plate 1x2 W. 1 Knob	19
4211152	Reddish Brown	Plate 1x3	2
4211190	Reddish Brown	Plate 1x4	8



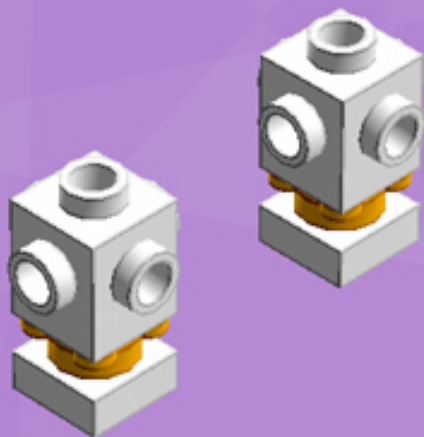


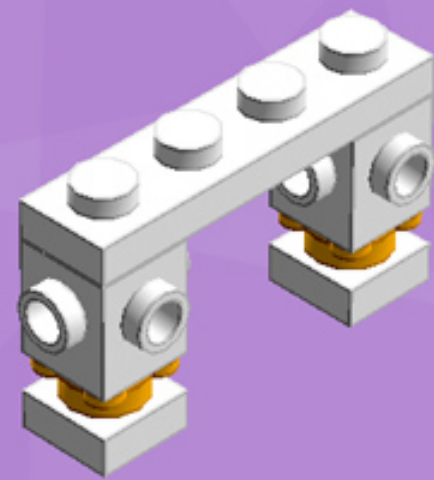
Element ID	Color	Description	Quantity
4216695	Reddish Brown	Plate 2x2	4
4211199	Reddish Brown	Roof Tile 1x2/45°	2
4111971	White	Brick 1x1 W. 4 KnobS	4
245001	White	Corner Plate 45 Deg. 3x3	1
302401	White	Plate 1x1	3
302301	White	Plate 1x2	4
371001	White	Plate 1x4	2
302201	White	Plate 2x2	1
302001	White	Plate 2x4	2
4179874	White	RIGHT Plate 2x3 W/ANGLE	2
4547489	White	Roof Tile 1 x 2 x 2/3, ABS	2
4504369	White	Roof Tile 1x1x2/3, PC	4

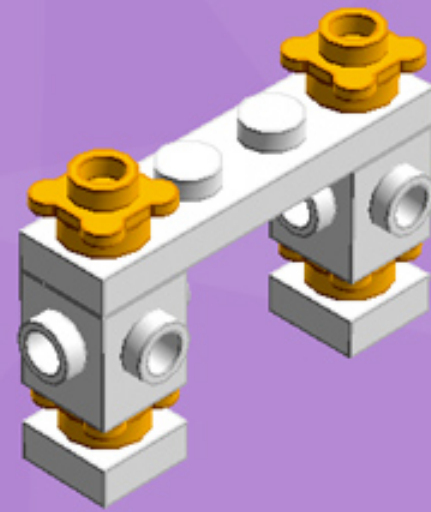


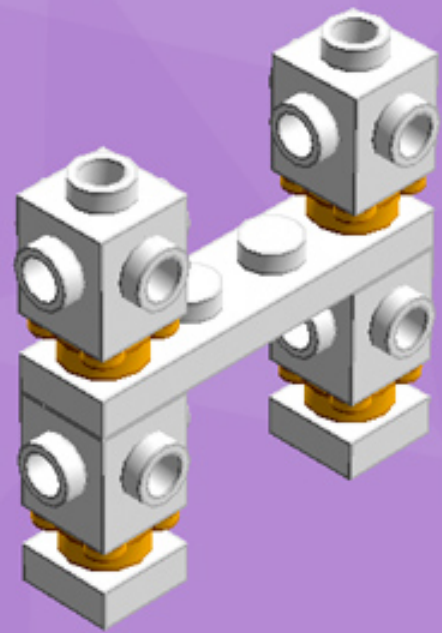


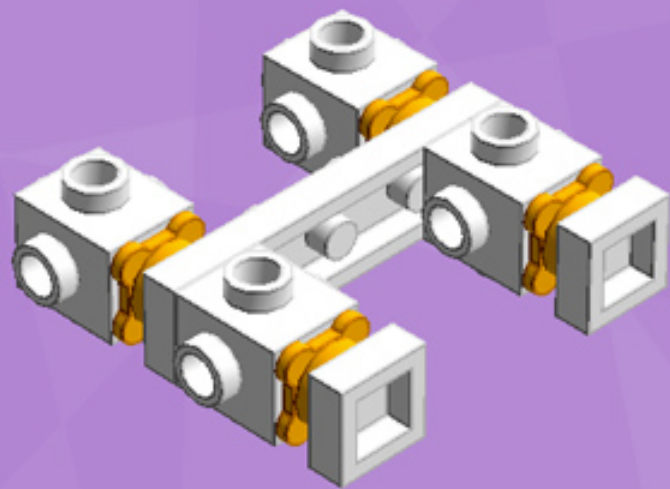










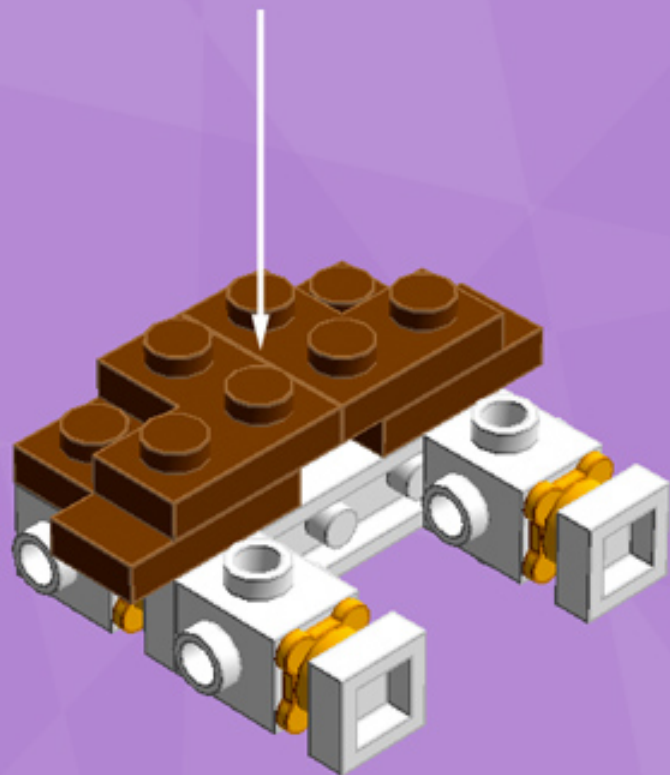




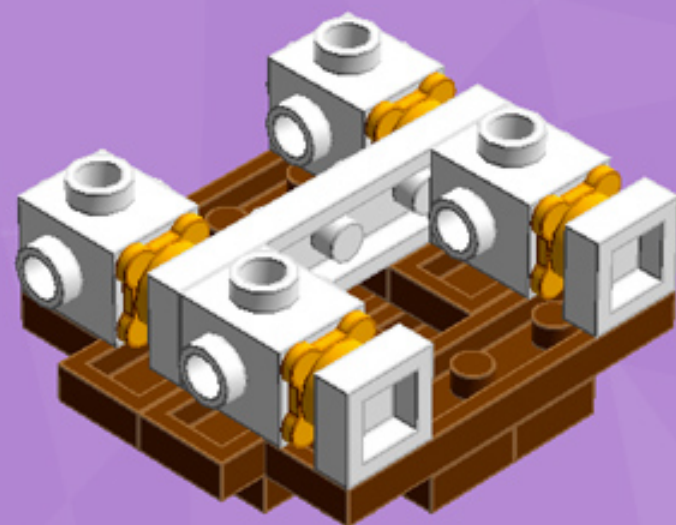


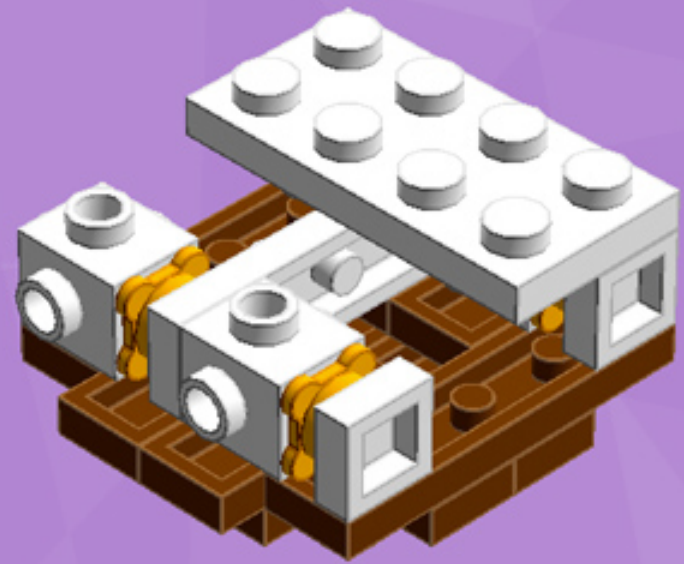
2x







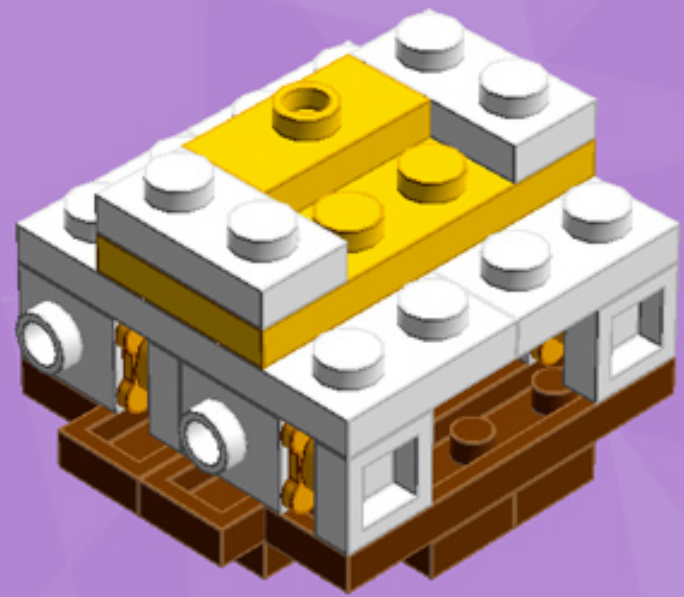




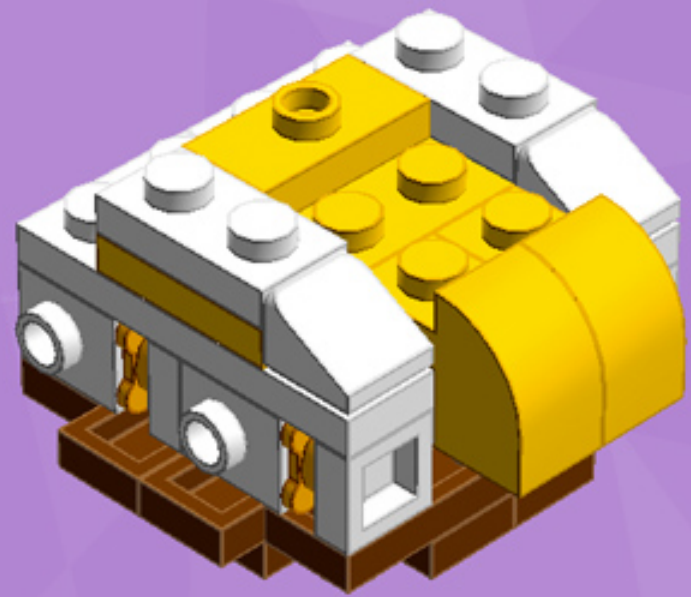


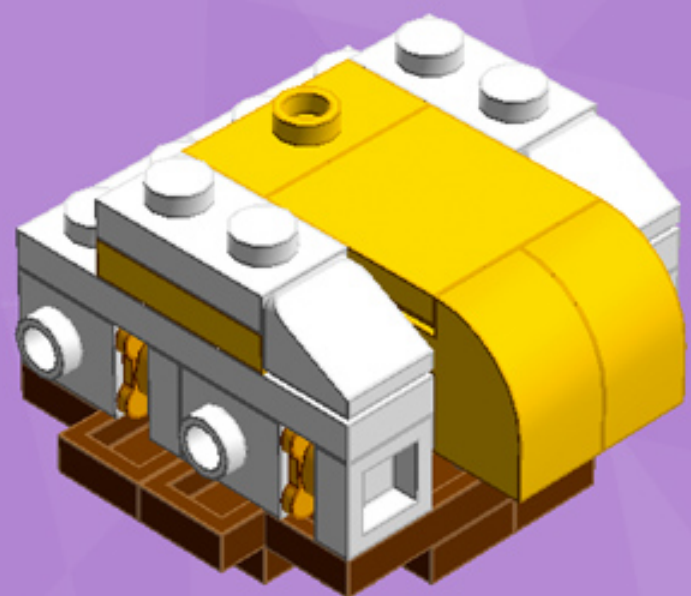


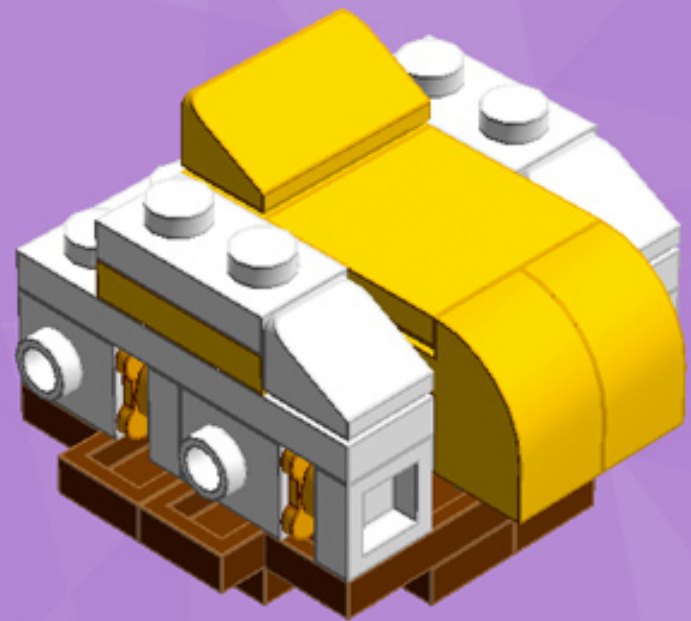




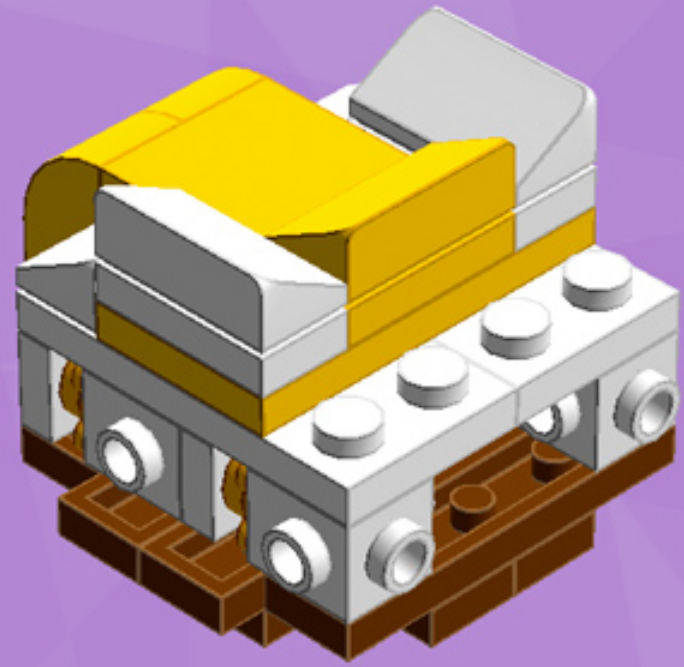


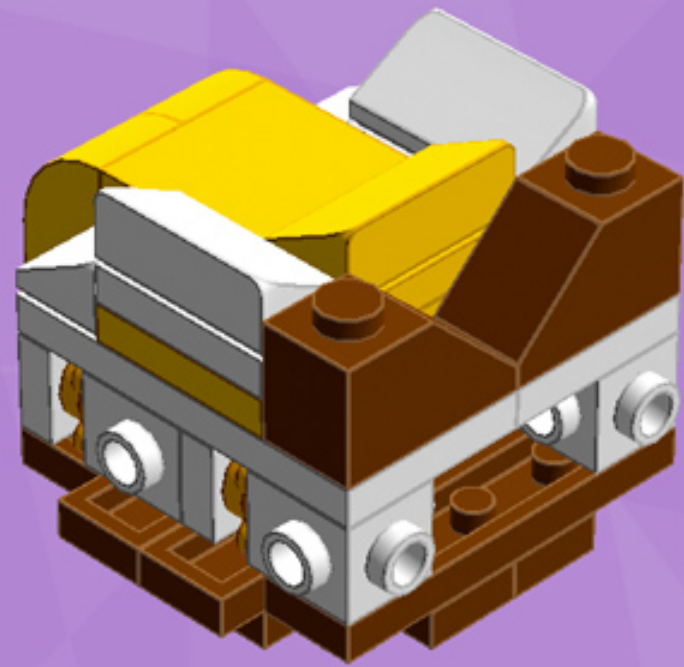


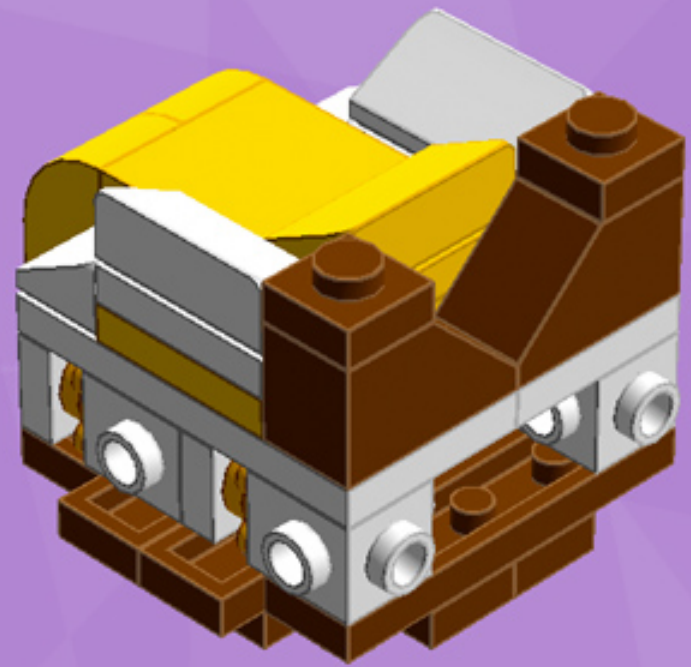


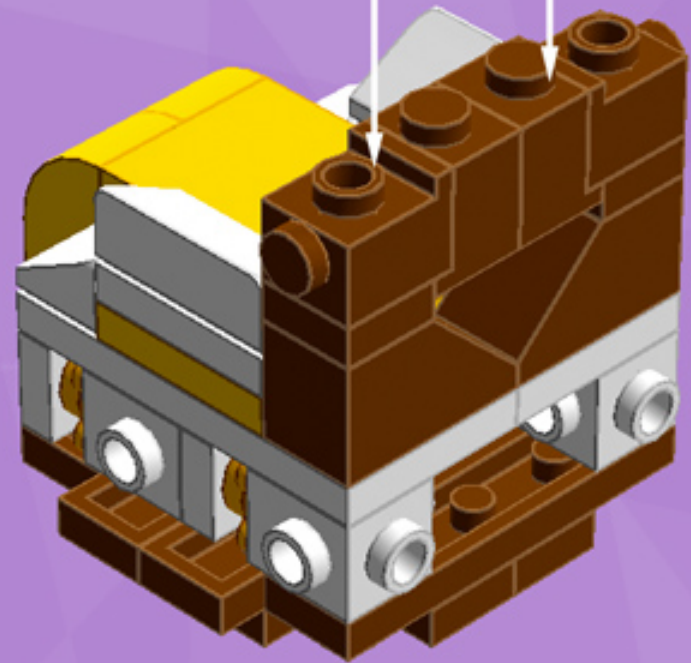




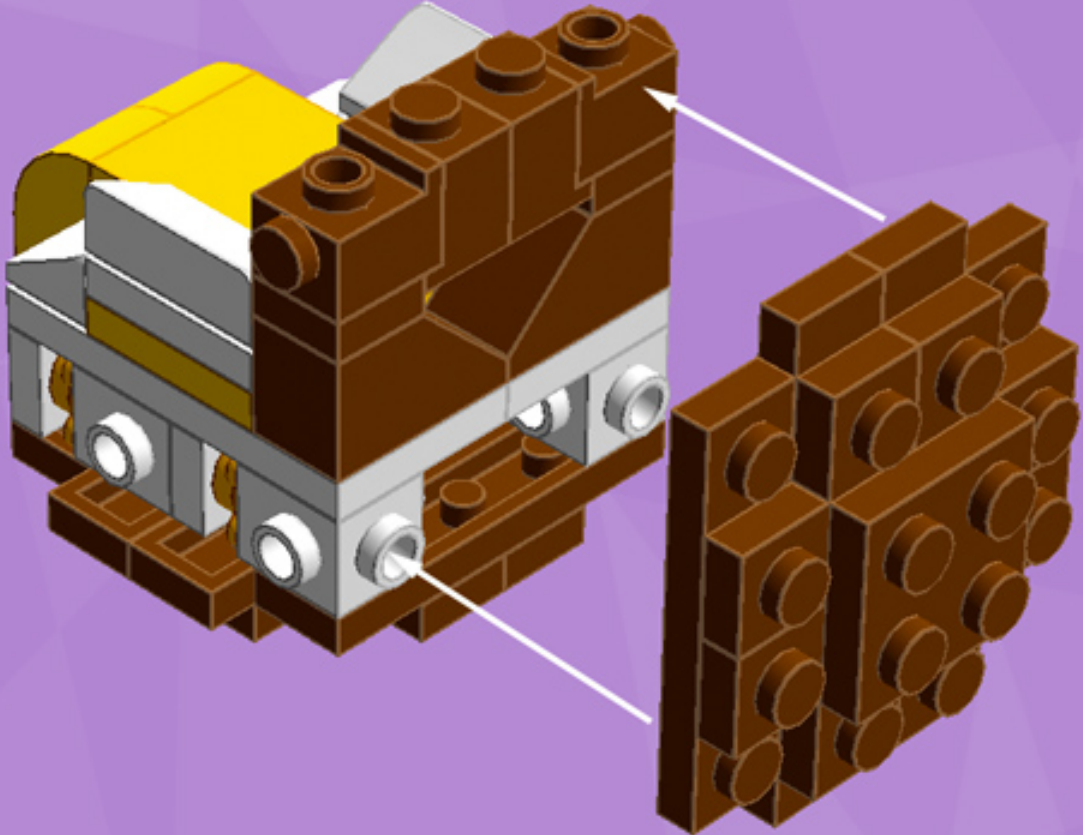


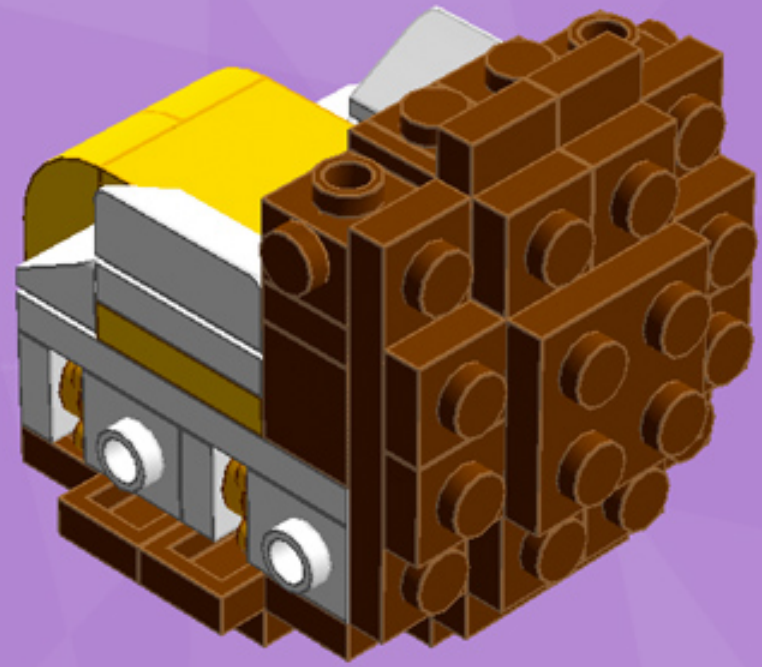




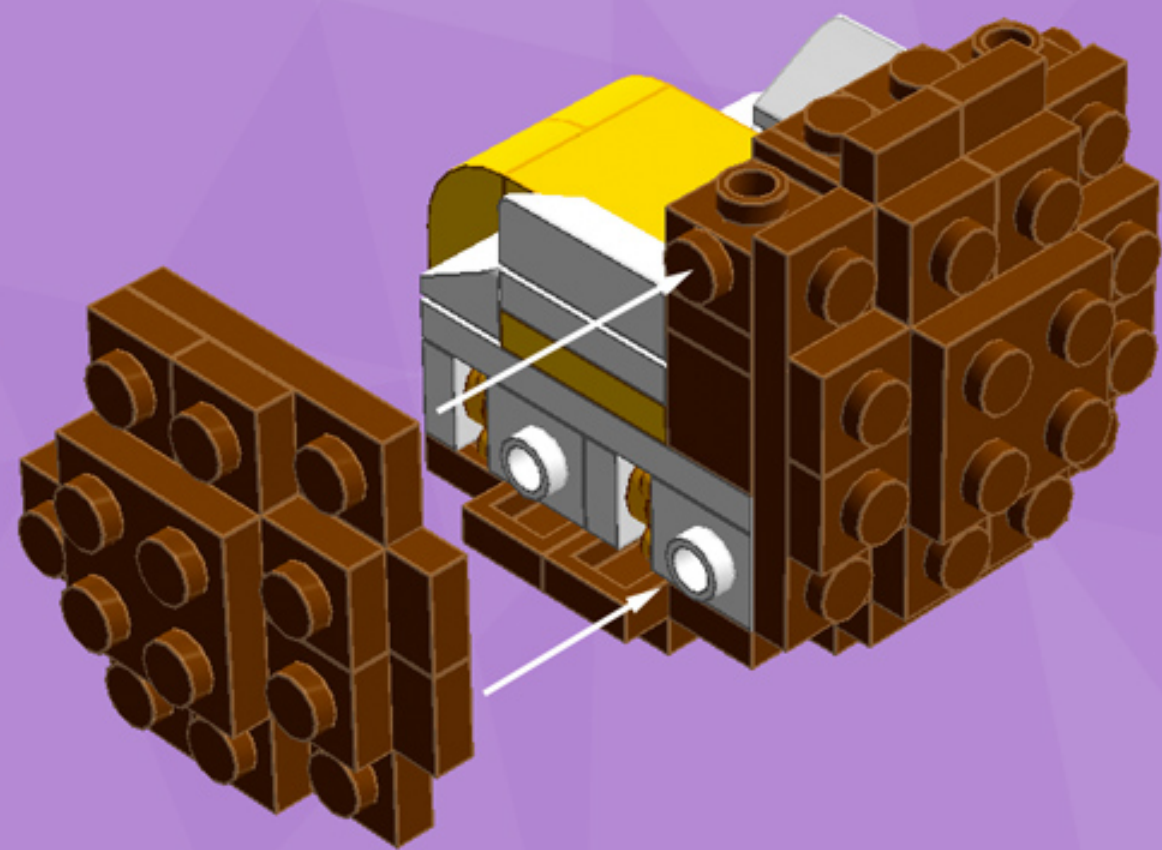




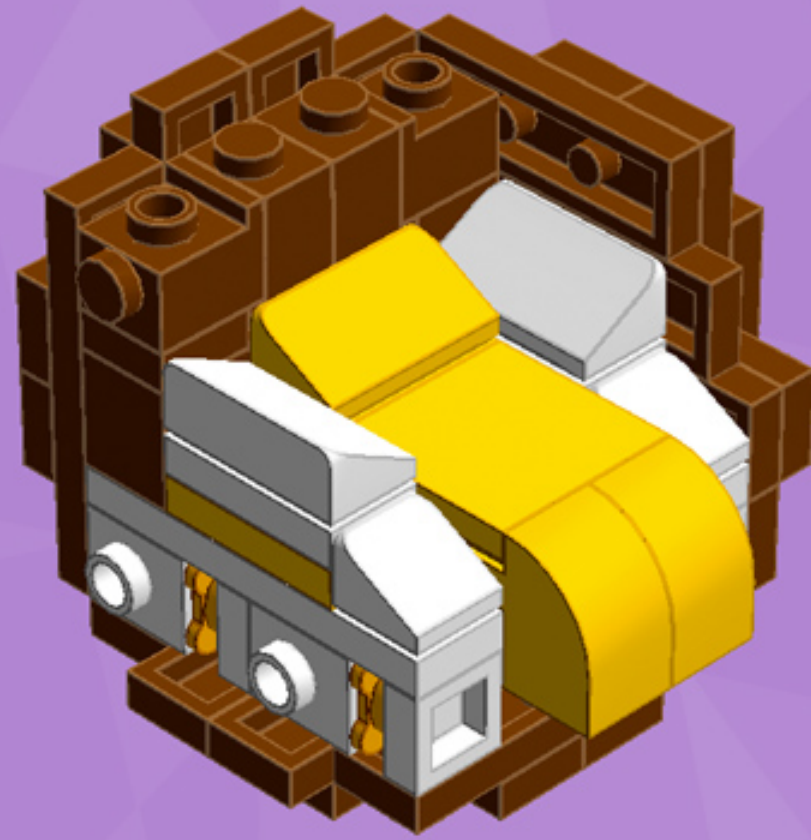




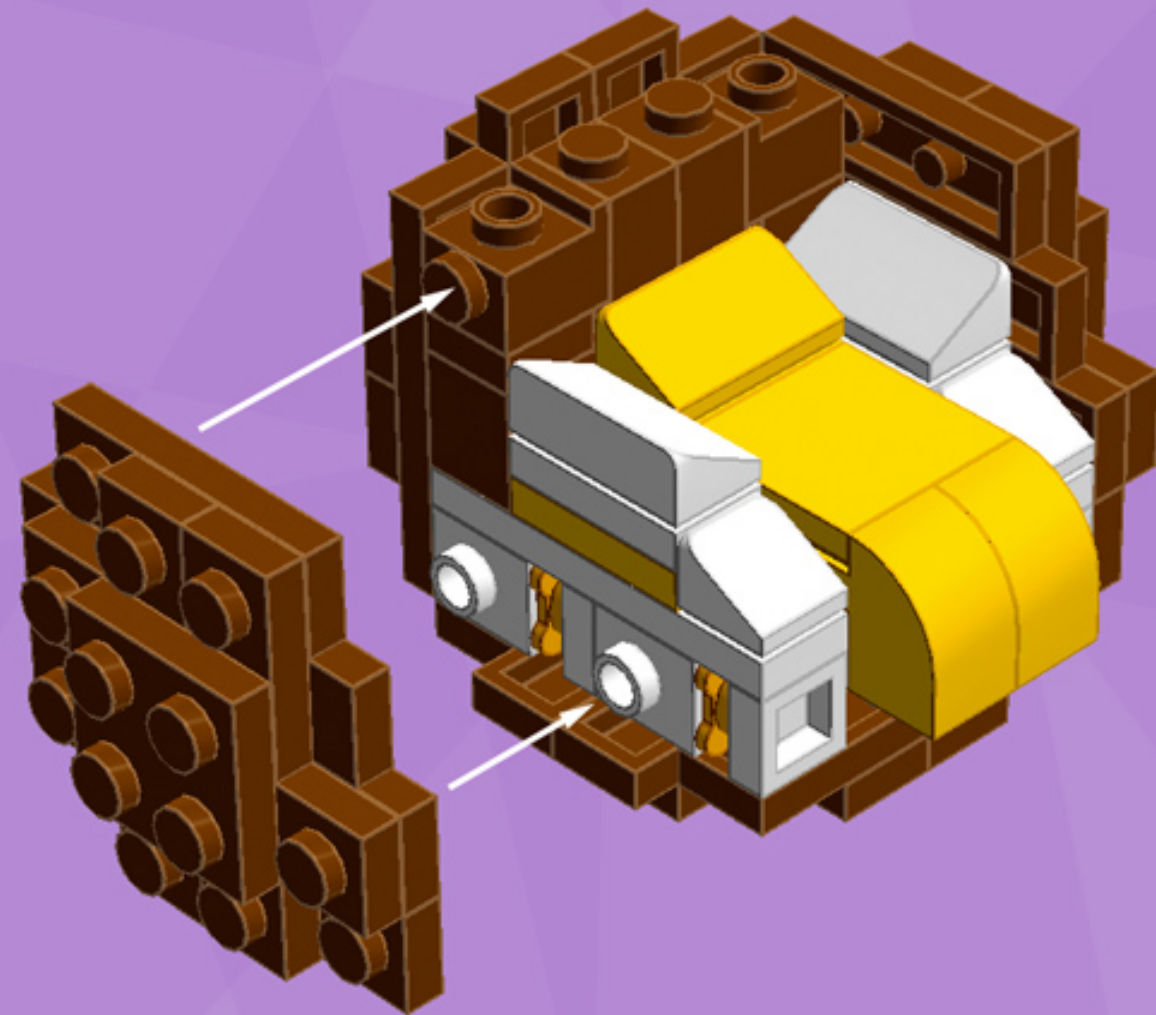




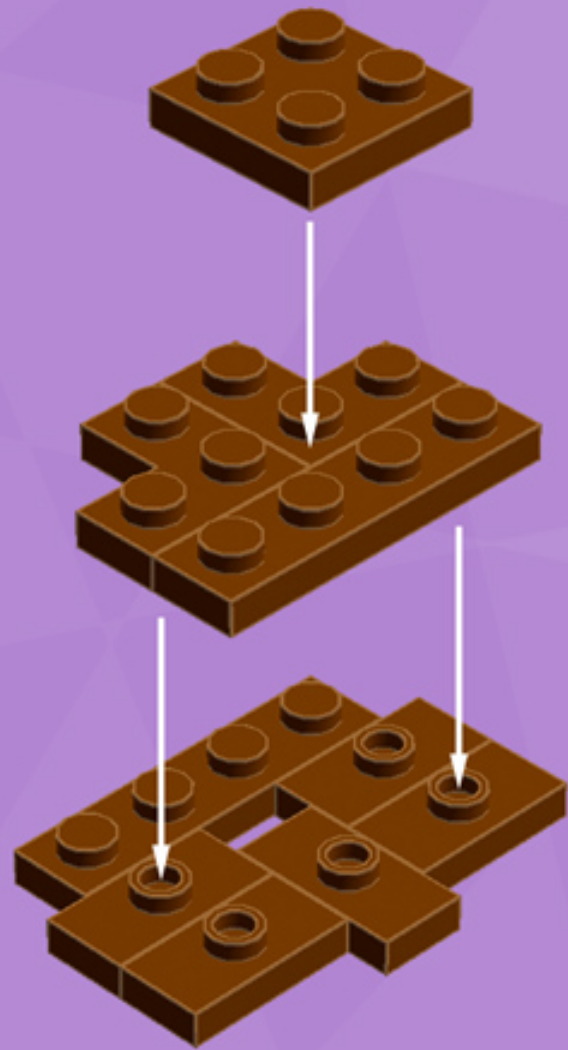


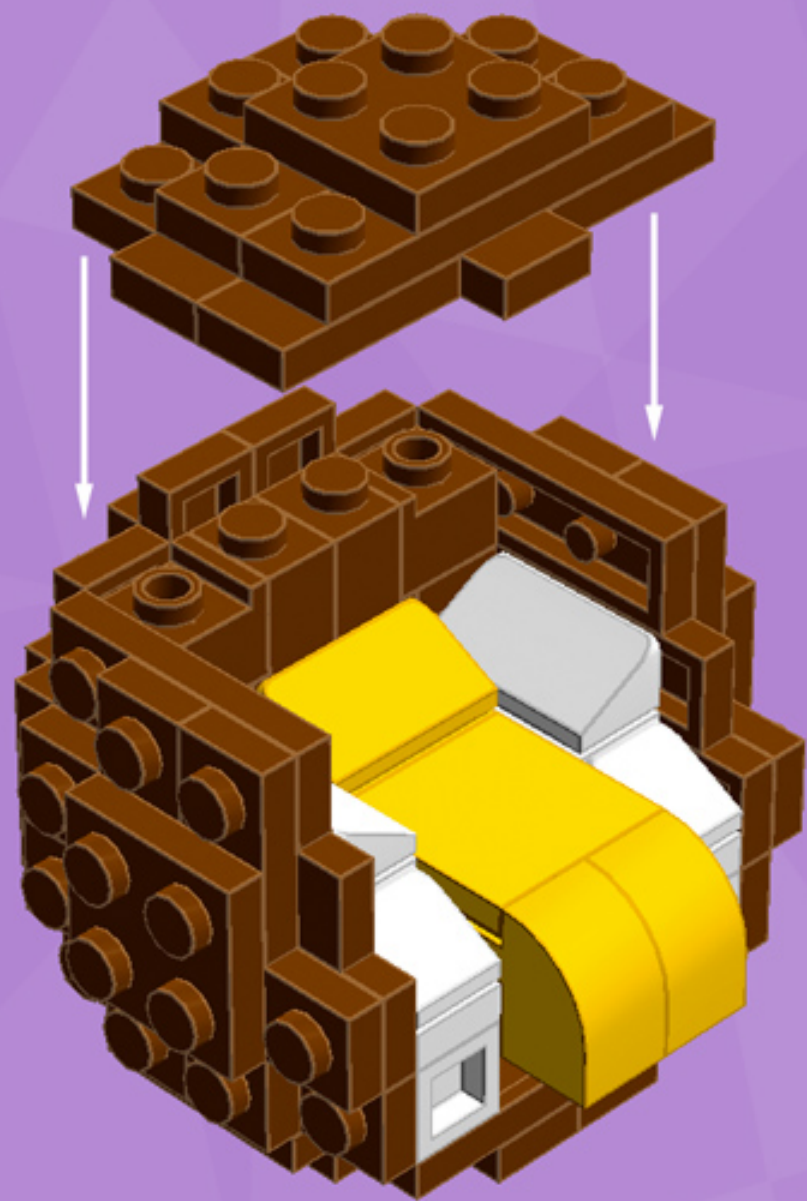




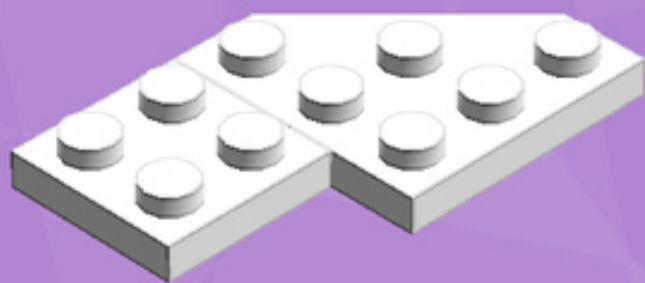


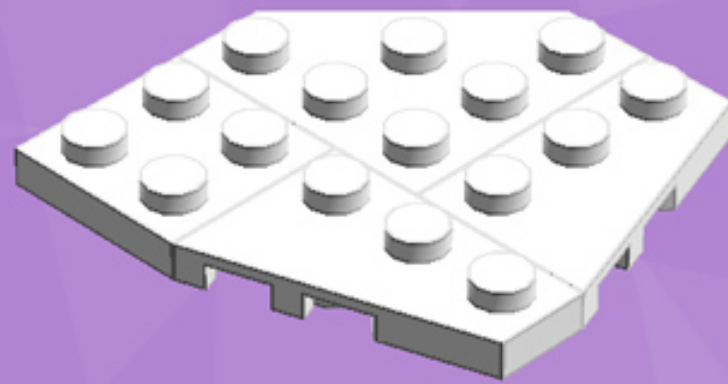


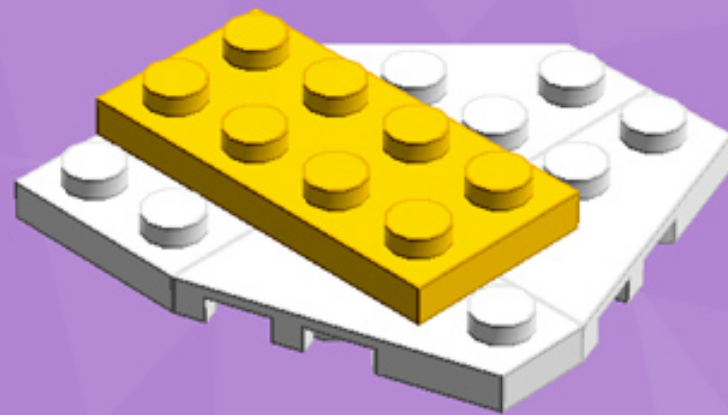


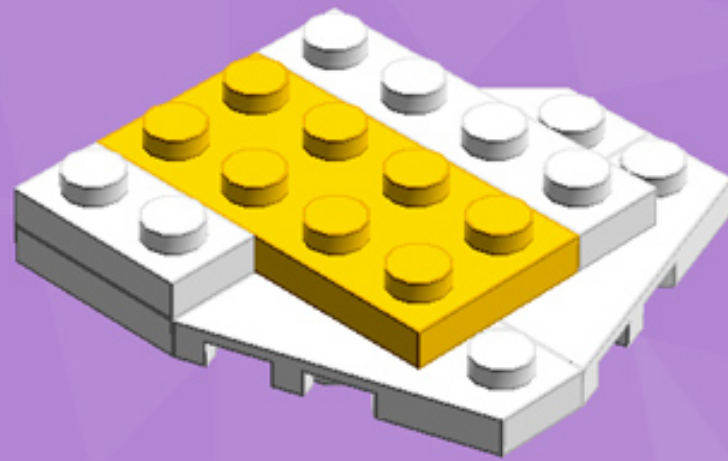








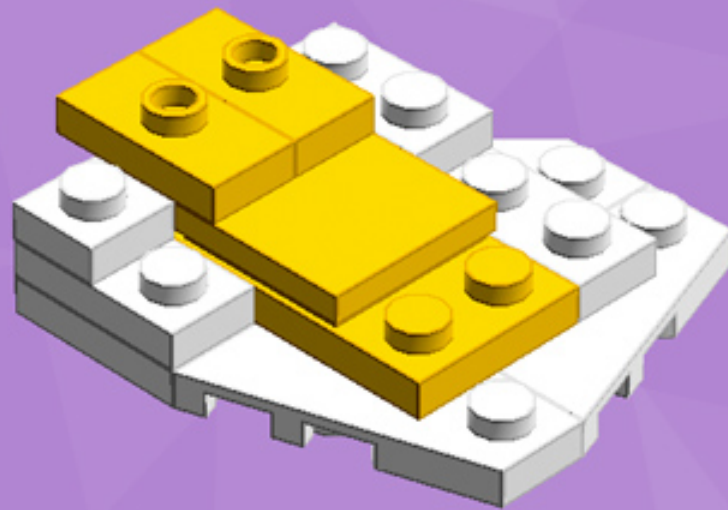




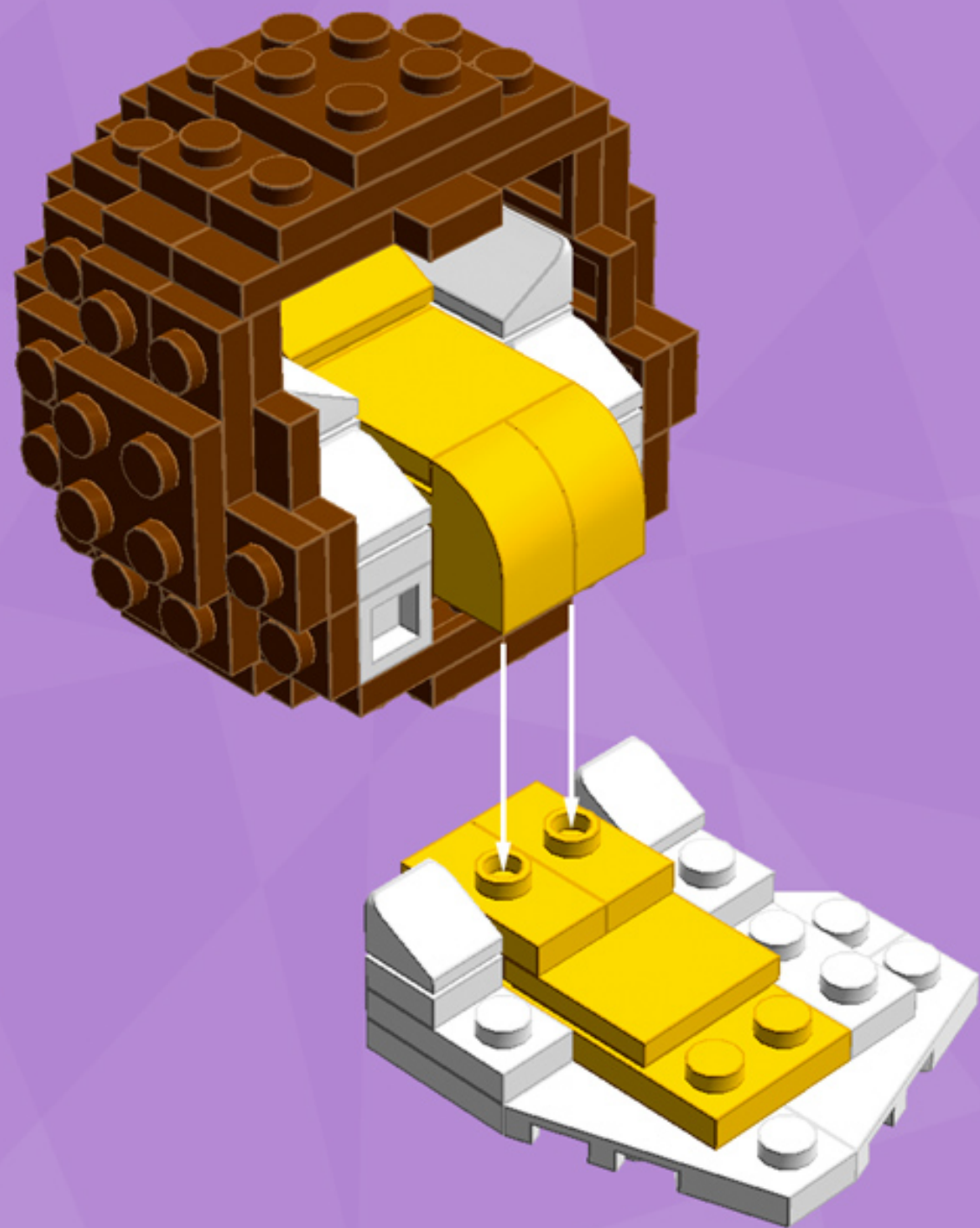




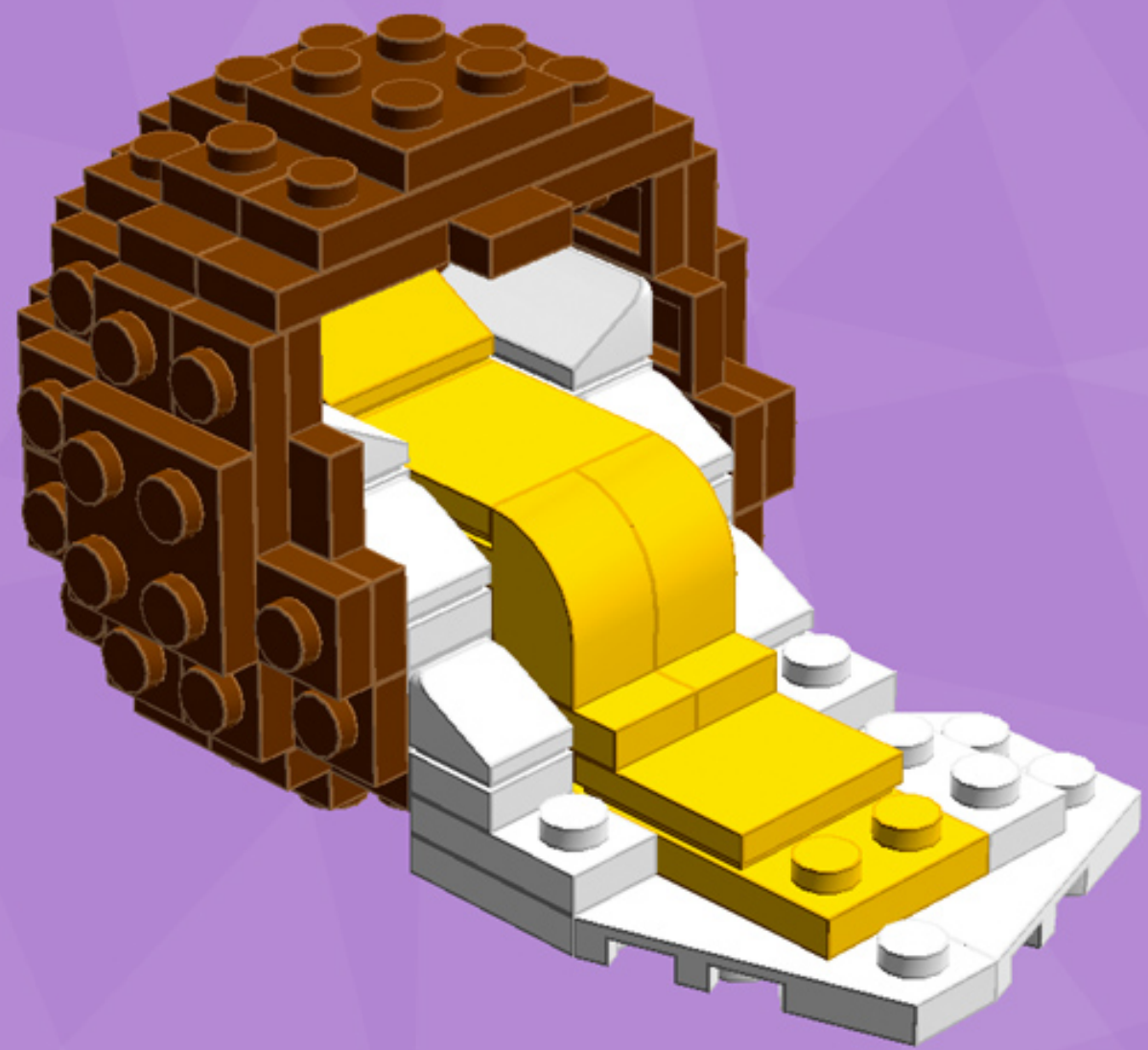












*For more fun builds,
please pop by chrismcveigh.com,
visit me at facebook.com/c.mcveigh.photos,
or follow me on twitter [@actionfigured](https://twitter.com/actionfigured)*

Purchase custom building kits at powerpig.storenvy.com

These building guides are for personal use only. Unauthorized duplication, distribution and/or modification of these guides, in whole or in part, is strictly prohibited. The models contained within these guides are the copyright of Chris McVeigh, unless otherwise stated. Unauthorized reproduction of these models for resale, either in whole or as a building kit, is strictly prohibited.

© 2014 CHRIS MCVEIGH

LEGO is a registered trademark of The LEGO Group.